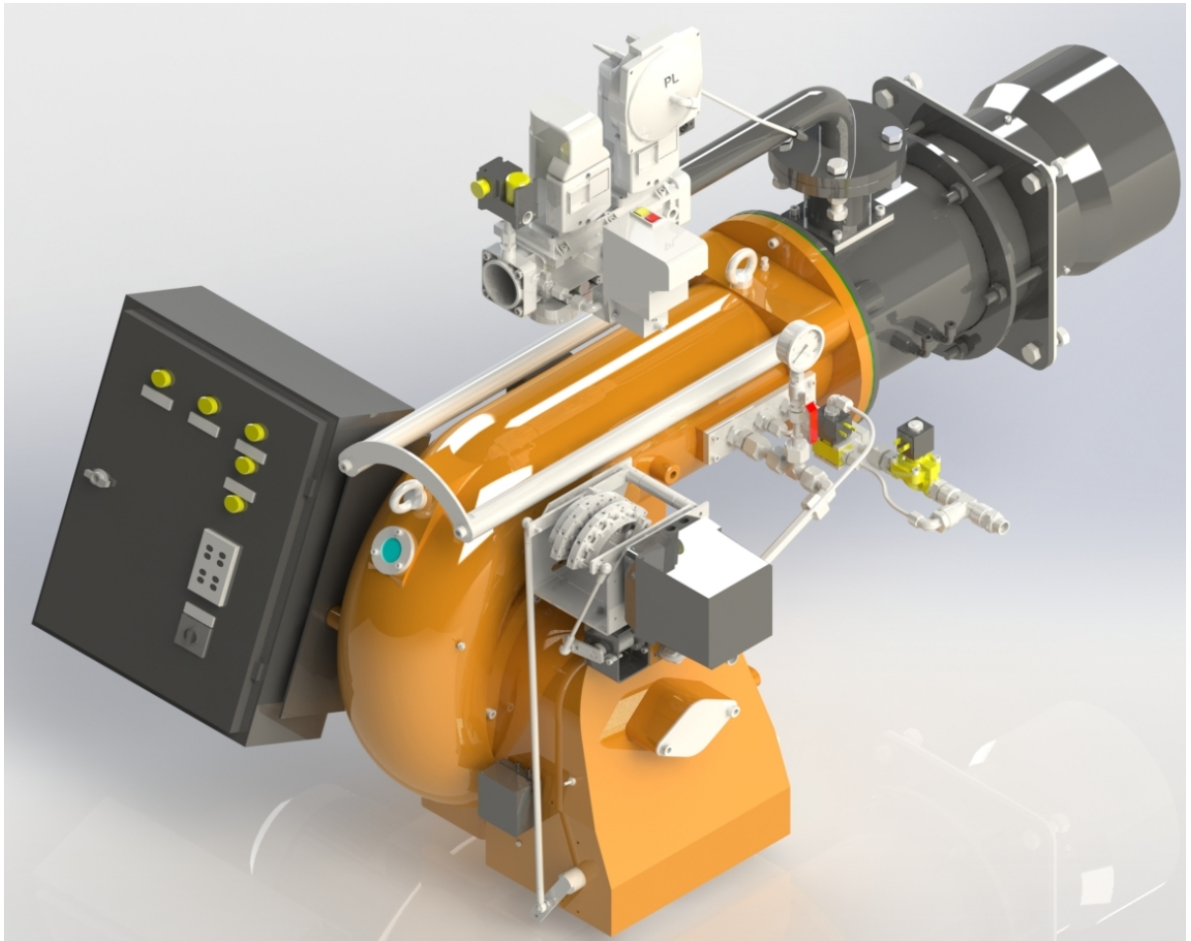


# MONOBLOCK DUAL FUEL (GAS-HEAVY OIL) BURNERS INSTALLATION, OPERATING AND MAINTENANCE MANUAL

TWO STAGE AND MODULATING OPERATION



ECO 50  
ECO 55  
ECO 60  
ECO 65  
ECO 70  
ECO 75



**DEAR USER,**

ECOSTAR ECO 50, ECO 55, ECO 60, ECO 65, ECO 70, ECO 75 **Dual Fuel (Gas-Heavy Oil)** burners are prepared and manufactured according to the latest technical developments and safety rules. It is easy to use for our customers.

We recommend that you read this manual and safety warnings thoroughly before the use of the device in order to ensure safe, cost effective and environmental-friendly use.

If you encounter any issue that is not explained clearly in this manual or you could not understand, please contact with our service department.

We thank you for choosing ECOSTAR brand.

Ecostar Dual Fuel (Gas-Heavy Oil) Burners are manufactured in compliance with TS EN 267 and TS EN 676 + A2 standards.






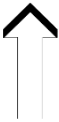




This Operating Manual is an integral part of the burner and must be maintained in a plastic dossier and hung at a clearly visible place in the burner room.

## CONTENTS

1. WARNINGS.....	3
1.1. Warning Symbols and Descriptions .....	3
1.2. General Safety Rules .....	4
2. TERMS OF WARRANTY .....	6
2.1. Out of Warranty Conditions .....	6
3. BURNER’S GENERAL FEATURES.....	7
3.1. Purpose of Use and Work Limits of Burners .....	7
3.2. Code Key.....	7
3.3. Burner Components.....	9
4. GAS, FLUE GAS AND HEATING WATER SCHEMA .....	31
5. TECHNICAL DATA .....	32
5.1. Capacity Table.....	32
5.2. Back Pressure-Capacity Diagrams .....	33
5.3. Burner Dimensions.....	34
5.4. Gas Hood Pressure Loss Diagram.....	35
5.5. Flame Length and Diameter .....	38
5.6. Noise Level.....	38
6. BURNER HANDLING INFORMATION .....	39
7. INSTALLATION .....	40
7.1. Burner Installation Picture.....	40
7.2. In reverse flame front mirror boilers .....	41
7.3. In cylindrical (straight flame) boilers .....	41
8. COMMISSIONING.....	42
8.1. Before Commissioning.....	42
8.2. General Controls .....	42
8.3. Combustion Adjustment.....	44
8.4. Fuel Pumps .....	44
8.5. Gas Adjustment .....	48
8.5.1. VGD 20 4011 - 5011 Series Gas Valve.....	48
8.6. Air Pressure Switch Adjustment .....	49
8.7. Servomotor Adjustment .....	49
8.8. Emission Measurement .....	54
8.9. Program Relay .....	54
8.10. Heavy Oil Burner Fuel Ring Line .....	57
8.11. Gas Pass Equipment Required in Gas Line .....	58
9. MAINTENANCE.....	59
9.1. Weekly Maintenance.....	59
9.2. Monthly Maintenance.....	59
9.3. Seasonal Maintenance .....	60
10. TROUBLESHOOTING.....	61
11. PERIODICAL FLUE GAS MEASUREMENT REPORT .....	62
12. AFTER SALES SERVICES.....	63
13. NOTES.....	64

## 1. WARNINGS

### 1.1. Warning Symbols and Descriptions

Symbols	Symbol Descriptions
	Important information and useful hints.
	Warning of danger to life or property.
	Warning of electrical voltage.
	Product handling information.
P <sub>F</sub>	Impulse connection detecting combustion chamber pressure
P <sub>L</sub>	Impulse connection detecting combustion air pressure
P <sub>BR</sub>	Impulse connection detecting burner gas head
 CLEAN THE GAS BURNER. CLEAN GAS LINE. ЧИСТАЯ ЛИНИЯ ГАЗ.	"Clean the gas line" warning on gas line.
	Electric motor direction of rotation
   	Carry in an upright position. Fragile Item. Protect against water.



## 1.2. General Safety Rules

- All personnel engaged in installation, disassembly, commissioning, operation, control, maintenance and repair should have received the necessary training, qualified and fully read and understood this manual.
- No changes that might damage the safety of the burner unit must be made by persons and/or organizations on the burner unit.
- All operation, commissioning and installation works (except for burning adjustment) should be carried out when the burner is not operating and after disconnecting the power supply. Noncompliance with these rules may lead to serious bodily injuries and even death by electrical shocks or uncontrolled flame formation.
- Repairs concerned with safety elements should be carried out only by the manufacturing company.
- The device should never be used by children, mentally handicapped and inexperienced persons.
- Children must not be allowed to play with the device.
- Keep the device away from explosive and flammable materials.
- Device must intake air, ventilation and air discharge holes must not be closed.



### **If you sense gas leakage;**

- Shut down valves of all gas devices.
- Open all doors and windows.
- Do not turn on electric devices or do not turn them off if they are working.
- Do not use burner derived tools such as match and lighter.
- Inform the gas company.



Do not store any inflammable materials in boiler room.



Wear hearing protectors if there is noise in boiler room.



### **In case of fire or other emergency;**

- Switch off the main switch
- Close the main fuel shut-off valve outside the plant.
- Take appropriate actions



The burner installation must be carried out in accordance with the instructions. Vibration can damage the burner and its components.



Keep boiler doors closed while starting burner and during burner operation.



Check combustion values to be correct by using flue gas analyzer at the whole adjustment range between minimum, full load, and ignition load.



Use lifting device or belt for lifting fan motor, if necessary



During the first commissioning of the burner or in case of any revision carried out in the electrical system or motor cables by any reason, direction of the fan rotation must certainly be checked by the authorized technical service.



For products that have not been commissioned or started more than 6 months, before activating the servomotor;

In gas, air dampers and oil regulators, servomotor and damper connections must be checked to ensure that they are free running in spite of immobility and oil freezing.



## **BURNER ROOM**

Install the burner in a suitable room/floor with minimum external air openings and sufficient to ensure perfect combustion, in compliance with current regulations.

Never obstruct air openings of the burner room, burner fan intake vents or air ducts in order to prevent:

a. The build up of toxic / explosive gas mixtures in the burner room,

b. Combustion with insufficient air, resulting in hazardous, anti-economical and polluting operation.

The burner must be always protected from rain, snow and frost to prevent corrosion and paint deformations.

Keep the burner room clean and free of solid volatile substances, which could be sucked into the fan and clog the internal burner or combustion head air ducts.

## 2. TERMS OF WARRANTY

Main and auxiliary equipment and all components used in Ecostar Dual Fuel (Gas-Heavy Oil) burners are guaranteed for 1 year by TERMO ISI SİST. A.Ş starting from the date of commissioning under the maintenance, adjustment, operating conditions and relevant mechanic, chemical and thermal effects explained herein.



Please note that this warranty is only valid if the device(s) is commissioned and maintained by our authorized services.



Our company reserves the right to make any modifications on the product and all instructions thereof for improvement purposes.

### 2.1. Out of Warranty Conditions

- Any damage arising out of or in relation to customers' non-compliance to their responsibilities with regards to installation, commissioning, operation and maintenance,
- Any damage arising out of or in relation to commissioning, repairs and maintenance carried out by unauthorized services,
- Any damage that may occur during transportation or storage of the product,
- Not preserving the product in its original packaging until the installation stage,
- Incorrect and poor electrical connections, Failures due to incorrect voltage applications, frequent repetition of voltage fluctuations,
- Any damage that may occur as a result of incorrect fuel usage or, foreign substances in the fuel used or using of the product without any fuel,
- Any damage that may occur due to foreign particles entered into the product during installation and operation,
- Failures due to incorrect device selection,
- Any damage to unit due to natural disasters,
- Devices without any warranty certificates,
- Warranty Certificates without the stamp and signature of the authorized dealer or service,
- Devices with any falsification on the warranty certificate or without an original serial number.
- The risks during transportation of device under the responsibility of customer belong to the customer.
- Presence of misuse faults are indicated in the reports issued by authorized service stations or our authorized agent, dealer, representative or our factory in case of unavailability of authorized service stations.
- Customers may apply consumer protection arbitrator committee with regards to this report and request for an expert report.

### 3. BURNER'S GENERAL FEATURES

ECOSTAR Dual Fuel (Gas-Heavy Oil) burners are designed and manufactured to work with liquid fuel with max. 2.5- 20 Cst (mm<sup>2</sup>/s) viscosity. and Natural Gas and Liquid Petroleum Gas at gas pressures of min.20 mbar, max.300 mbar and at -%15 to +%10 of nominal voltages, under environmental temperature of max.60°C with rated capacity and burner pressure ranges.

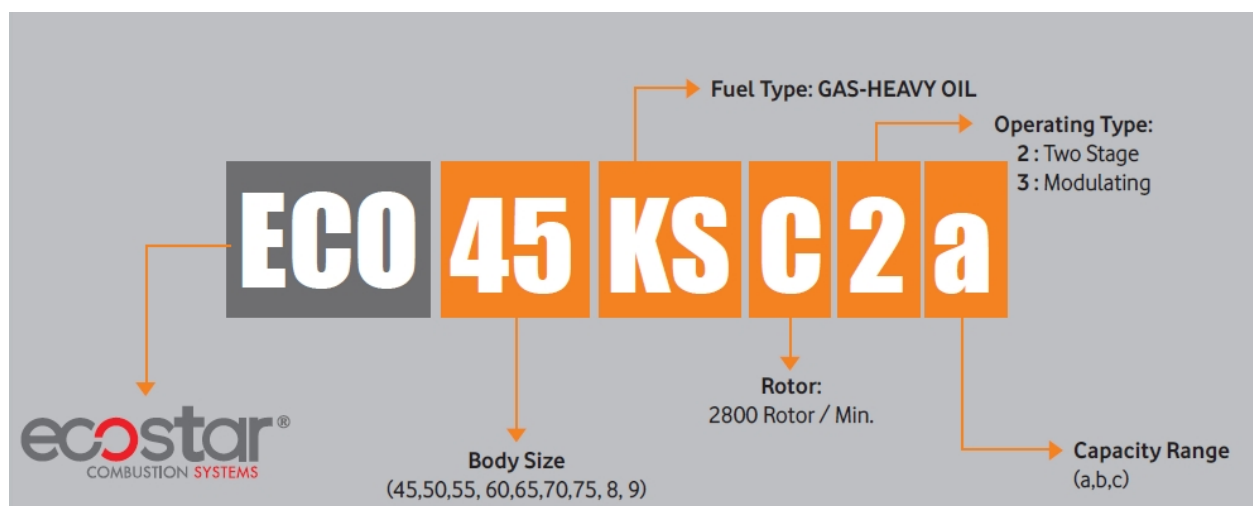
#### 3.1. Purpose of Use and Work Limits of Burners

- This product works at any load value equivalent to its max. capacity or covered by its capacity range;
  - In hot water and steam boilers,
  - In direct and indirect hot air generators,
  - Industrial appliances operating at temperature below 600 °C,
  - -15 °C...+60 °C ambient temperature range,
  - 1N 230 VAC/3N 380VAC /50 Hz feed voltage (-%15...+%10) values,
  - Max. 95% relative humidity,
  - In well-ventilated open and closed spaces compatible with protection class IP 40.

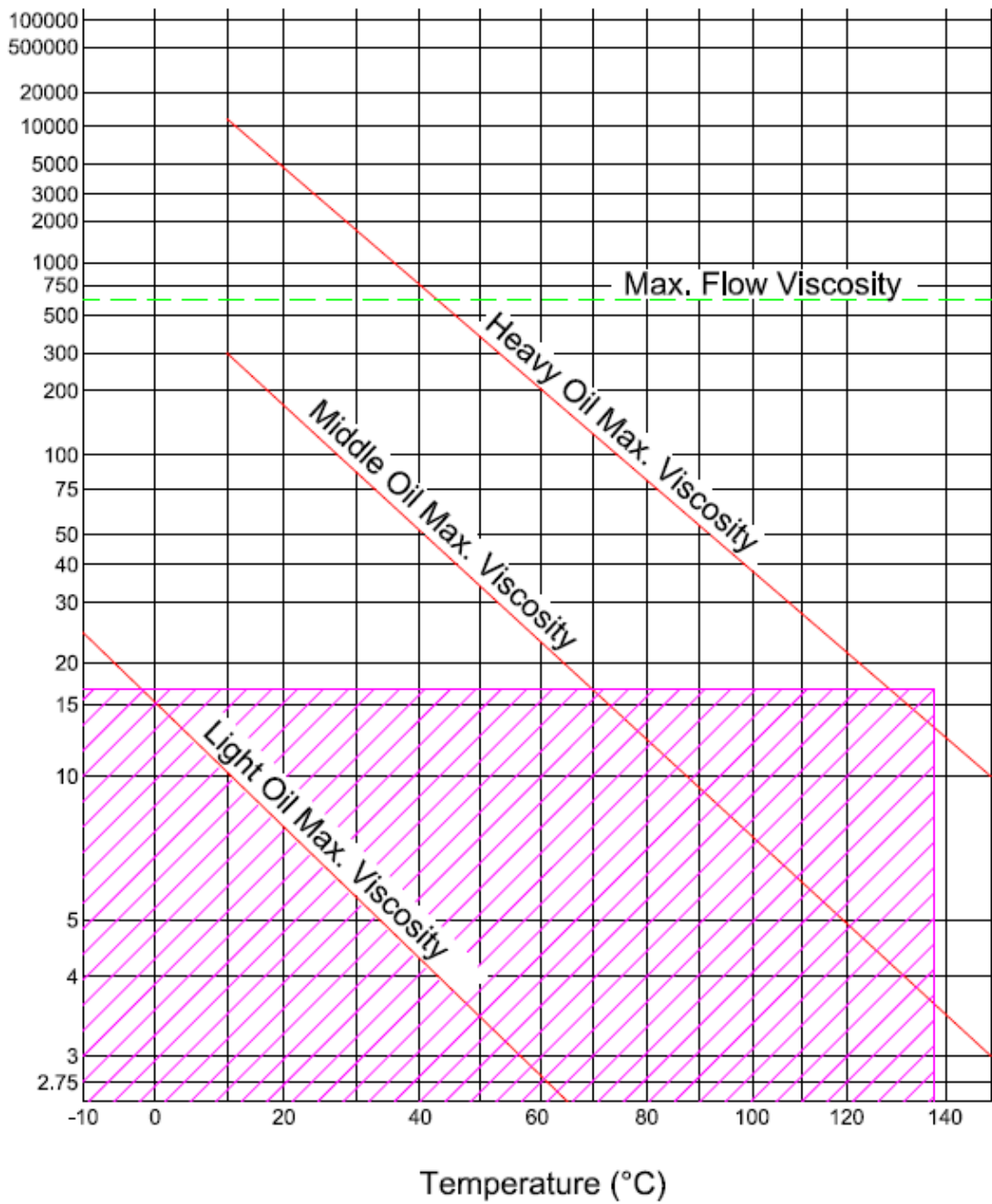


This device must never be operated with open flame!

#### 3.2. Code Key



c St



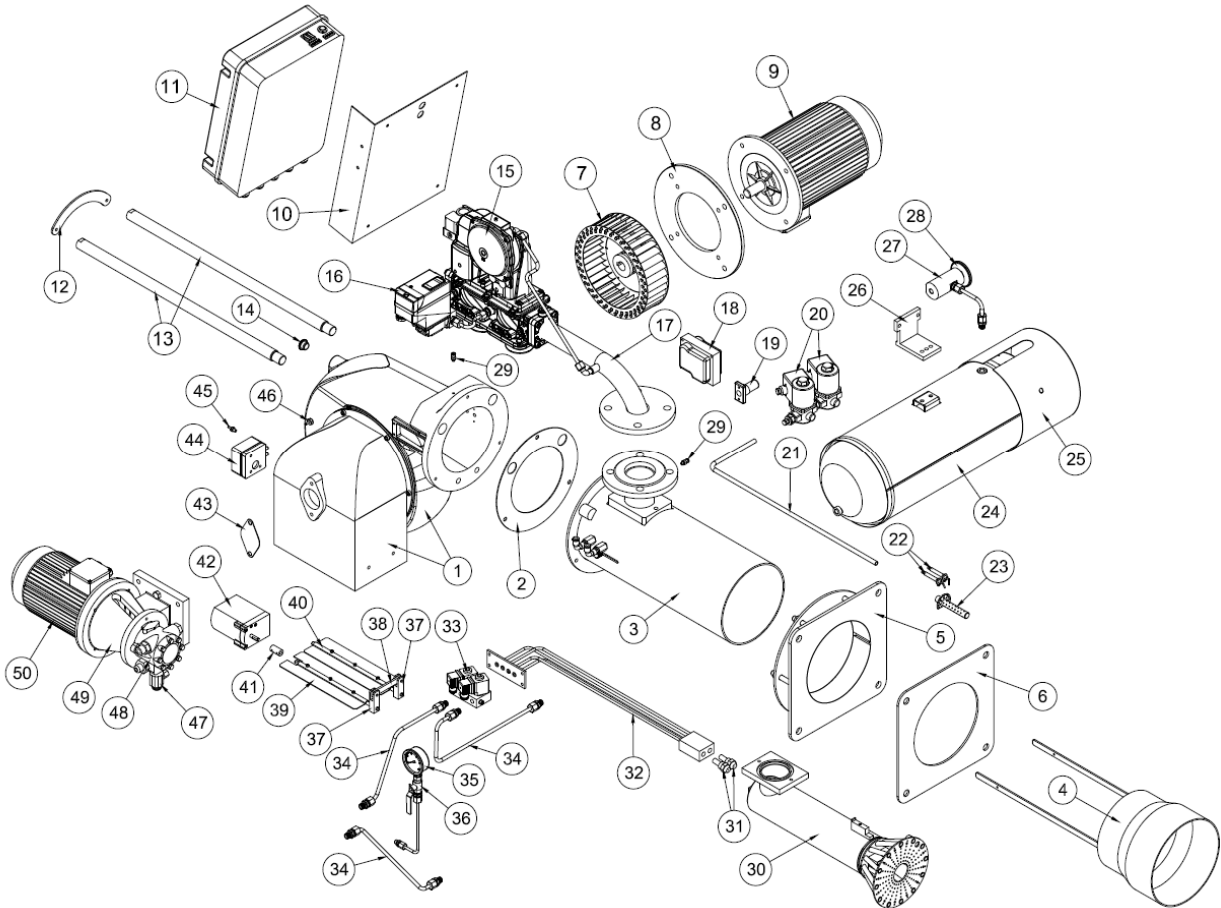
Temperature change of fuel used in ECOSTAR Dual Fuel (Gas-Heavy Oil) burners dependent on viscosity



Operating Range

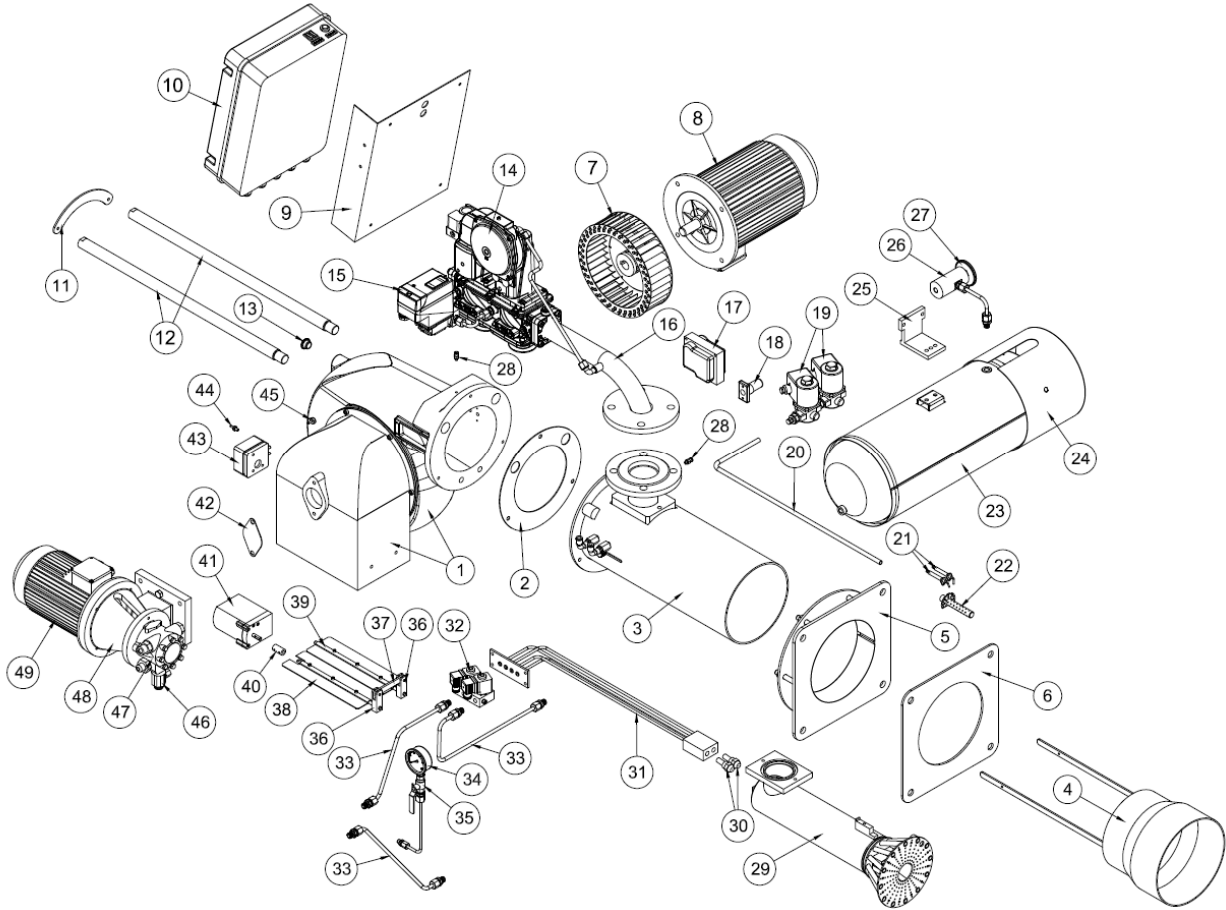
### 3.3. Burner Components

#### ECO 50 KSC2



Assembly No	Part Name	Assembly No	Part Name
1	Body	26	Oil pre-heater connection part
2	Klingerit Gasket	27	Thermometer connection adapter
3	Flame Tube	28	Thermometer
4	Flame Tube extension	29	Purger
5	Boiler Connection Flange	30	Combustion head
6	Gasket	31	Fuel nozzle
7	Fan	32	Lance
8	Motor connection flange	33	Solenoid valve
9	Motor	34	Fuel pipes
10	Electrical Panel Mounting Plate	35	Manometer
11	Electrical Panel	36	Ball valve
12	Handling Rod Fixing Plate	37	Air damper motion rod
13	Handling rod	38	Air damper transmission rod
14	Observation Glass	39	Air damper
15	Gas Solenoid Valve	40	Air damper
16	VPS	41	Servomotor coupling
17	Gas Intake Pipe	42	Servomotor
18	Ignition Transformer	43	Pump housing cover
19	Photocell	44	Pressure switch
20	Pilot Igniter Gas Solenoid Valve	45	Pressure switch adaptor
21	Pilot igniter pipe	46	Pressure switch adaptor
22	Pilot igniter electrode	47	Pipe elbow
23	Pilot combustion head	48	Pump
24	Oil pre-heater	49	Pump motor console
25	Oil pre-heater housing	50	Motor

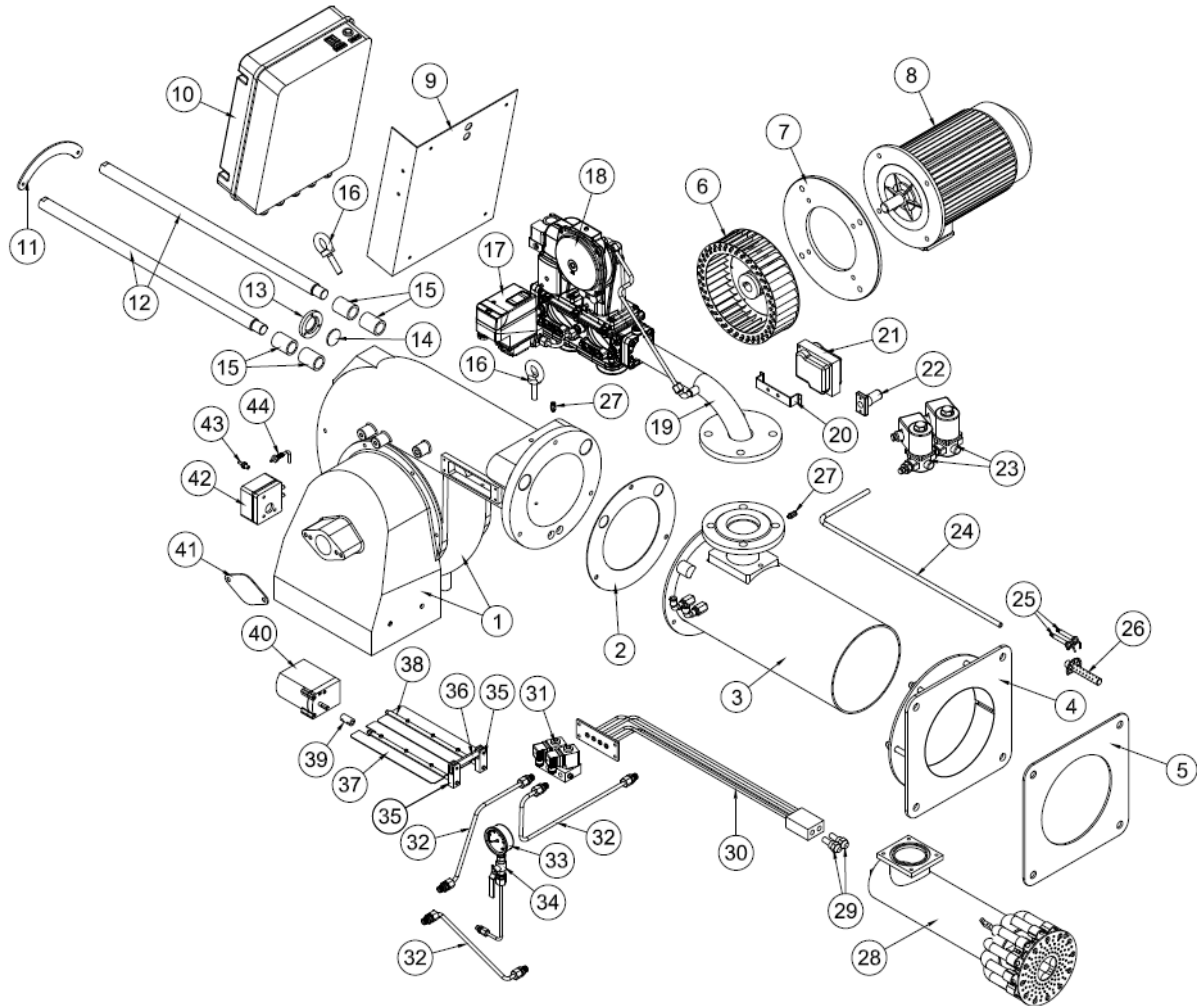
ECO 55 KSC2-2a





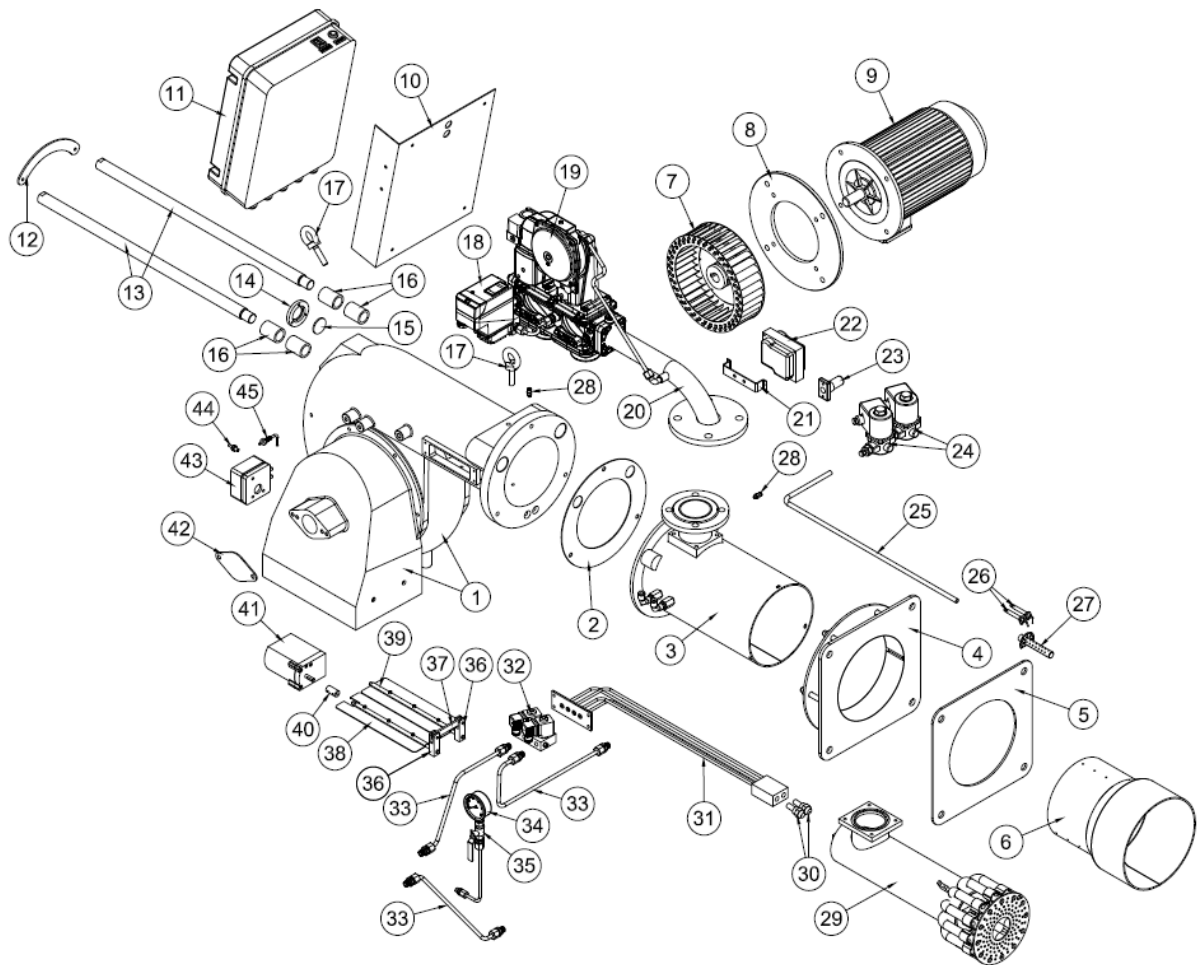
Assembly No	Part Name	Assembly No	Part Name
1	Body	26	Thermometer connection adapter
2	Klingerit Gasket	27	Thermometer
3	Flame Tube	28	Purger
4	Flame Tube extension	29	Combustion head
5	Boiler Connection Flange	30	Fuel nozzle
6	Gasket	31	Lance
7	Fan	32	Solenoid valve
8	Motor	33	Fuel pipes
9	Electrical Panel Mounting Plate	34	Manometer
10	Electrical Panel	35	Ball valve
11	Handling Rod Fixing Plate	36	Air damper motion rod
12	Handling rod	37	Air damper transmission rod
13	Observation Glass	38	Air damper
14	Gas Solenoid Valve	39	Air damper
15	VPS	40	Servomotor coupling
16	Gas Intake Pipe	41	Servomotor
17	Ignition Transformer	42	Pump housing cover
18	Photocell	43	Pressure switch
19	Pilot Igniter Gas Solenoid Valve	44	Pressure switch adaptor
20	Pilot igniter pipe	45	Pressure switch adaptor
21	Pilot igniter electrode	46	Pipe elbow
22	Pilot combustion head	47	Pump
23	Oil pre-heater	48	Pump motor console
24	Oil pre-heater housing	49	Motor
25	Oil pre-heater connection part		

ECO 60 KSC2



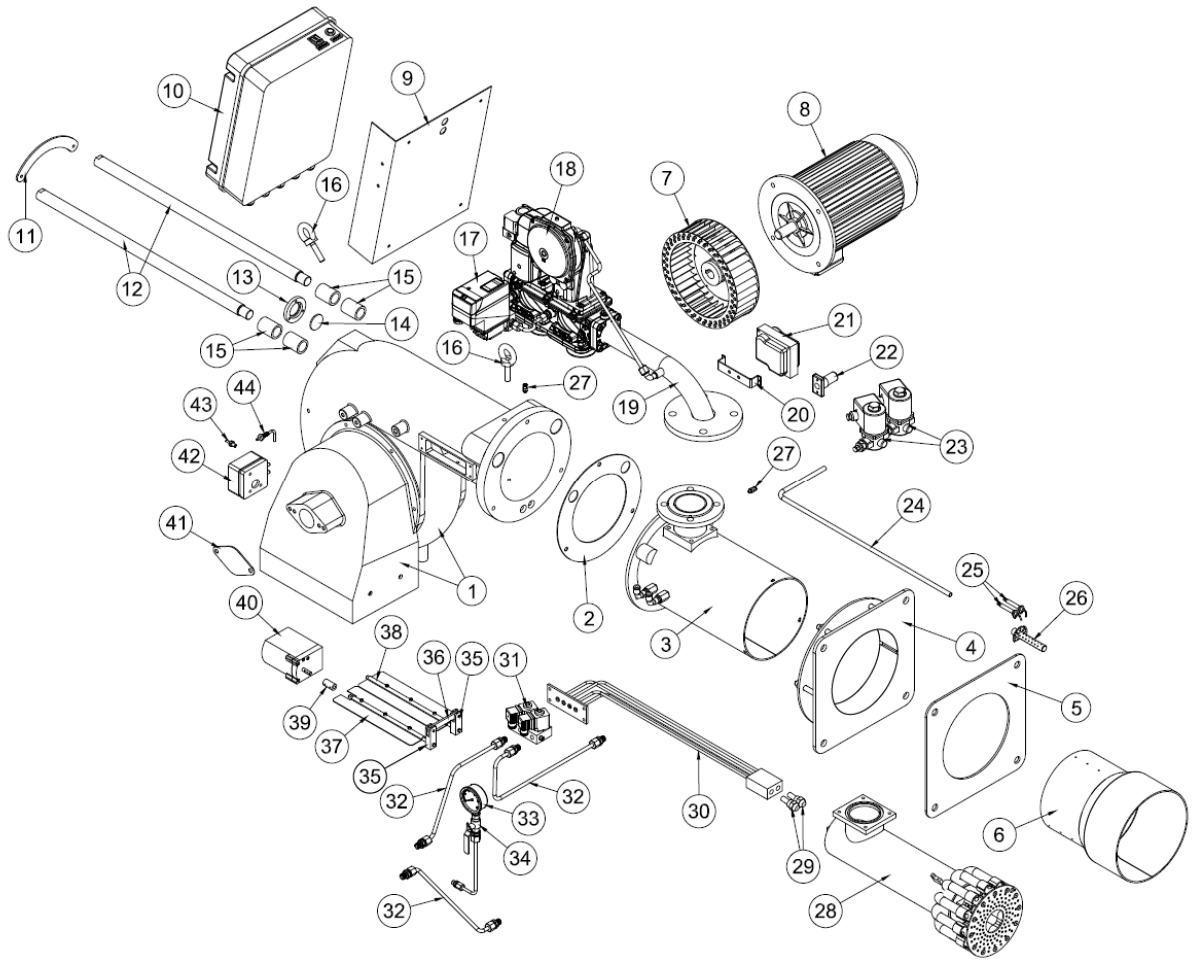
Assembly No	Part Name	Assembly No	Part Name
1	Body	23	Pilot Igniter Gas Solenoid Valve
2	Klingerit Gasket	24	Pilot igniter pipe
3	Flame Tube	25	Pilot igniter electrode
4	Boiler Connection Flange	26	Pilot combustion head
5	Gasket	27	Purger
6	Fan	28	Combustion head
7	Motor connection flange	29	Fuel nozzle
8	Motor	30	Lance
9	Electrical Panel Mounting Plate	31	Solenoid valve
10	Electrical Panel	32	Fuel pipes
11	Handling Rod Fixing Plate	33	Manometer
12	Handling rod	34	Ball valve
13	Observation Glass frame	35	Air damper motion rod
14	Observation Glass	36	Air damper transmission rod
15	Bearing	37	Air damper
16	Eyebolt	38	Air damper
17	VPS	39	Servomotor coupling
18	Gas Solenoid Valve	40	Servomotor
19	Gas Intake Pipe	41	Pump housing cover
20	Transformer connection plate	42	Pressure switch
21	Ignition Transformer	43	Pressure switch adaptor
22	Photocell	44	Pressure switch adaptor

ECO 65 KSC2



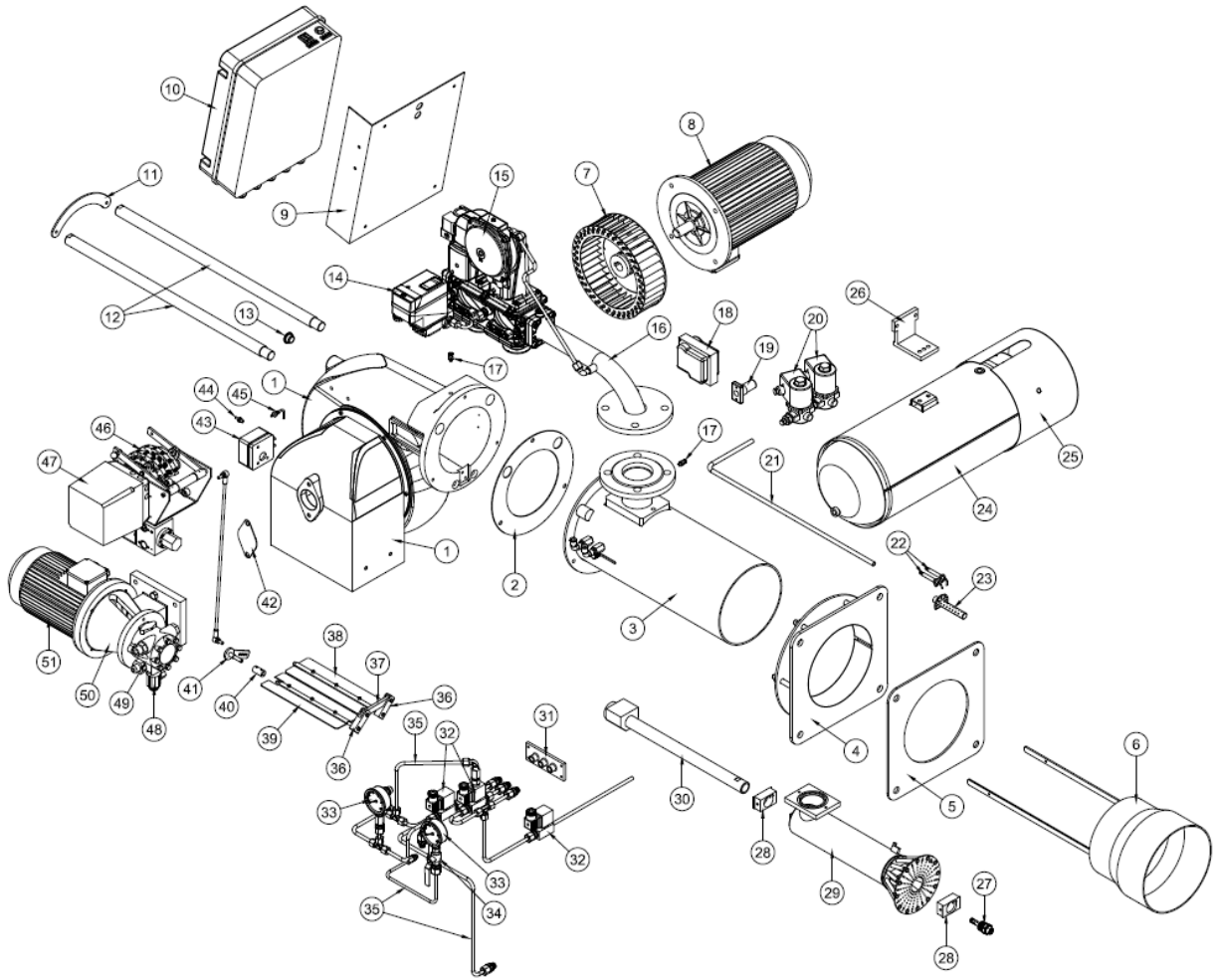
Assembly No	Part Name	Assembly No	Part Name
1	Body	24	Pilot Igniter Gas Solenoid Valve
2	Klingerit Gasket	25	Pilot igniter pipe
3	Flame Tube	26	Pilot igniter electrode
4	Boiler Connection Flange	27	Pilot combustion head
5	Gasket	28	Purger
6	Flame Tube extension	29	Combustion head
7	Fan	30	Fuel nozzle
8	Motor connection flange	31	Lance
9	Motor	32	Solenoid valve
10	Electrical Panel Mounting Plate	33	Fuel pipes
11	Electrical Panel	34	Manometer
12	Handling Rod Fixing Plate	35	Ball valve
13	Handling rod	36	Air damper motion rod
14	Observation Glass frame	37	Air damper transmission rod
15	Observation Glass	38	Air damper
16	Bearing	39	Air damper
17	Eyebolt	40	Servomotor coupling
18	VPS	41	Servomotor
19	Gas Solenoid Valve	42	Pump housing cover
20	Gas Intake Pipe	43	Pressure switch
21	Transformer connection plate	44	Pressure switch adaptor
22	Ignition Transformer	45	Pressure switch adaptor
23	Photocell		

ECO 70 KSC2



Assembly No	Part Name	Assembly No	Part Name
1	Body	23	Pilot Igniter Gas Solenoid Valve
2	Klingerit Gasket	24	Pilot igniter pipe
3	Flame Tube	25	Pilot igniter electrode
4	Boiler Connection Flange	26	Pilot combustion head
5	Gasket	27	Purger
6	Flame Tube extension	28	Combustion head
7	Fan	29	Fuel nozzle
8	Motor	30	Lance
9	Electrical Panel Mounting Plate	31	Solenoid valve
10	Electrical Panel	32	Fuel pipes
11	Handling Rod Fixing Plate	33	Manometer
12	Handling rod	34	Ball valve
13	Observation Glass frame	35	Air damper motion rod
14	Observation Glass	36	Air damper transmission rod
15	Bearing	37	Air damper
16	Eyebolt	38	Air damper
17	VPS	39	Servomotor coupling
18	Gas Solenoid Valve	40	Servomotor
19	Gas Intake Pipe	41	Pump housing cover
20	Transformer connection plate	42	Pressure switch
21	Ignition Transformer	43	Pressure switch adaptor
22	Photocell	44	Pressure switch adaptor

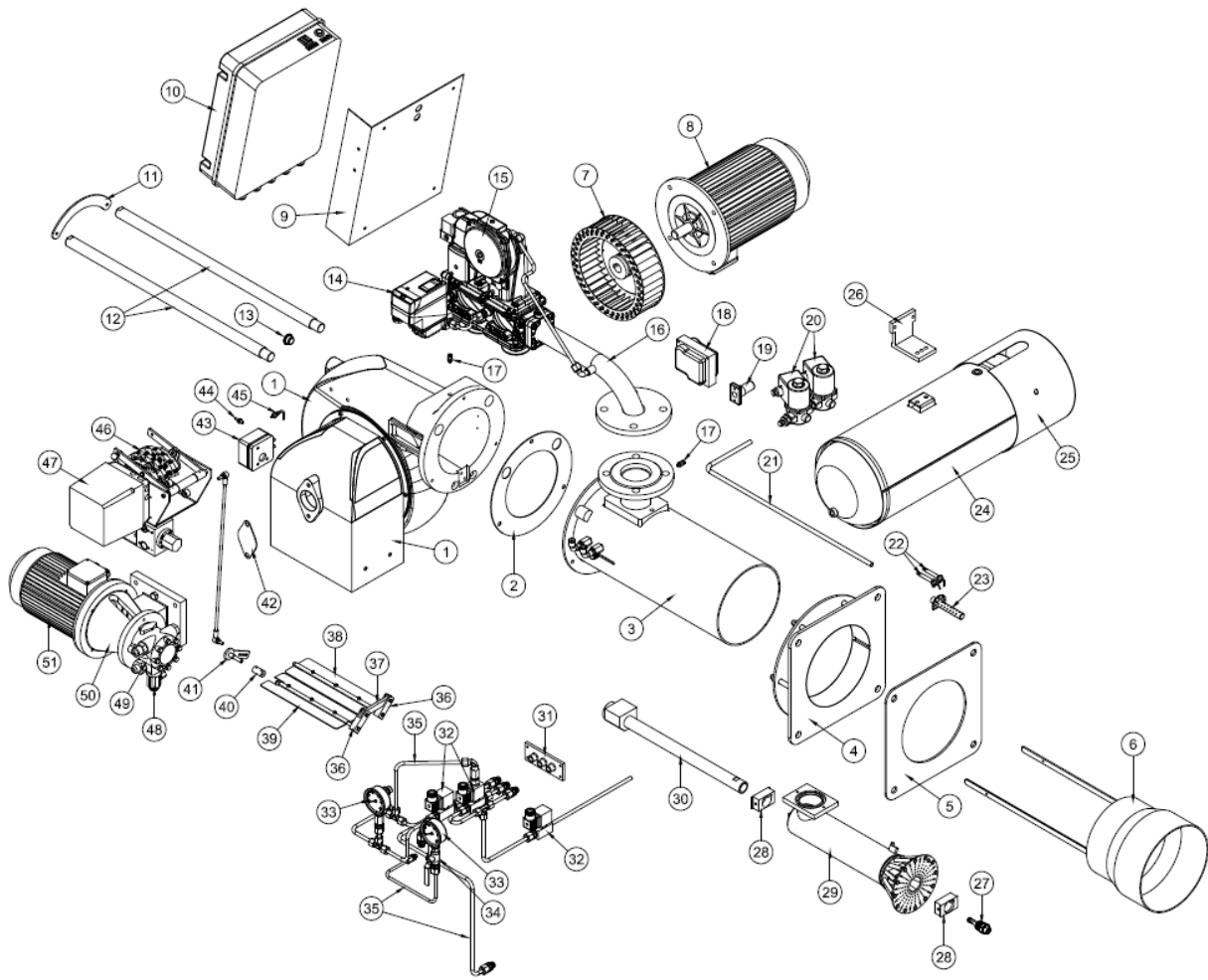
ECO 50 KSC3





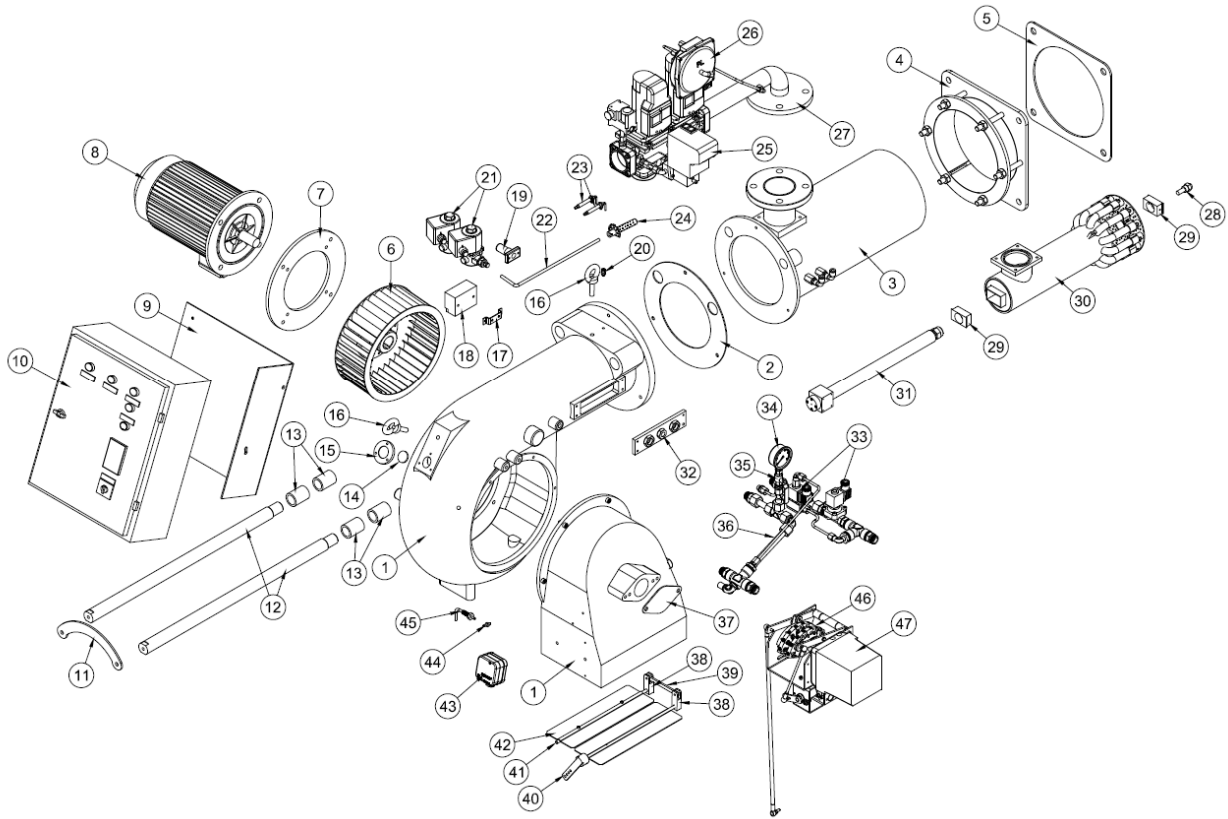
Assembly No	Part Name	Assembly No	Part Name
1	Body group	27	Fuel nozzle
2	Klingerit Gasket	28	Centring wedge
3	Flame Tube	29	Combustion head
4	Boiler Connection Flange	30	Lance
5	Gasket	31	Solenoid valve Connection plate
6	Flame Tube extension	32	Solenoid valve
7	Fan	33	Manometer
8	Motor	34	Ball valve
9	Electrical Panel Mounting Plate	35	Fuel pipes
10	Electrical Panel	36	Air damper motion rod
11	Handling Rod Fixing Plate	37	Air damper transmission rod
12	Handling rod	38	Air damper
13	Observation Glass	39	Air damper
14	VPS	40	Servomotor coupling
15	Gas Solenoid Valve	41	Air damper adjustment rod
16	Gas Intake Pipe	42	Pump housing cover
17	Purger	43	Pressure switch
18	Ignition Transformer	44	Pressure switch adaptor
19	Photocell	45	Pressure switch adaptor
20	Pilot Igniter Gas Solenoid Valve	46	Disc console group
21	Pilot igniter pipe	47	servomotor
22	Pilot igniter electrode	48	Pump nipple
23	Pilot combustion head	49	Pump
24	Oil pre-heater	50	Pump motor console
25	Oil pre-heater housing	51	Motor
26	Oil pre-heater connection part		

ECO 55 KSC3-3a



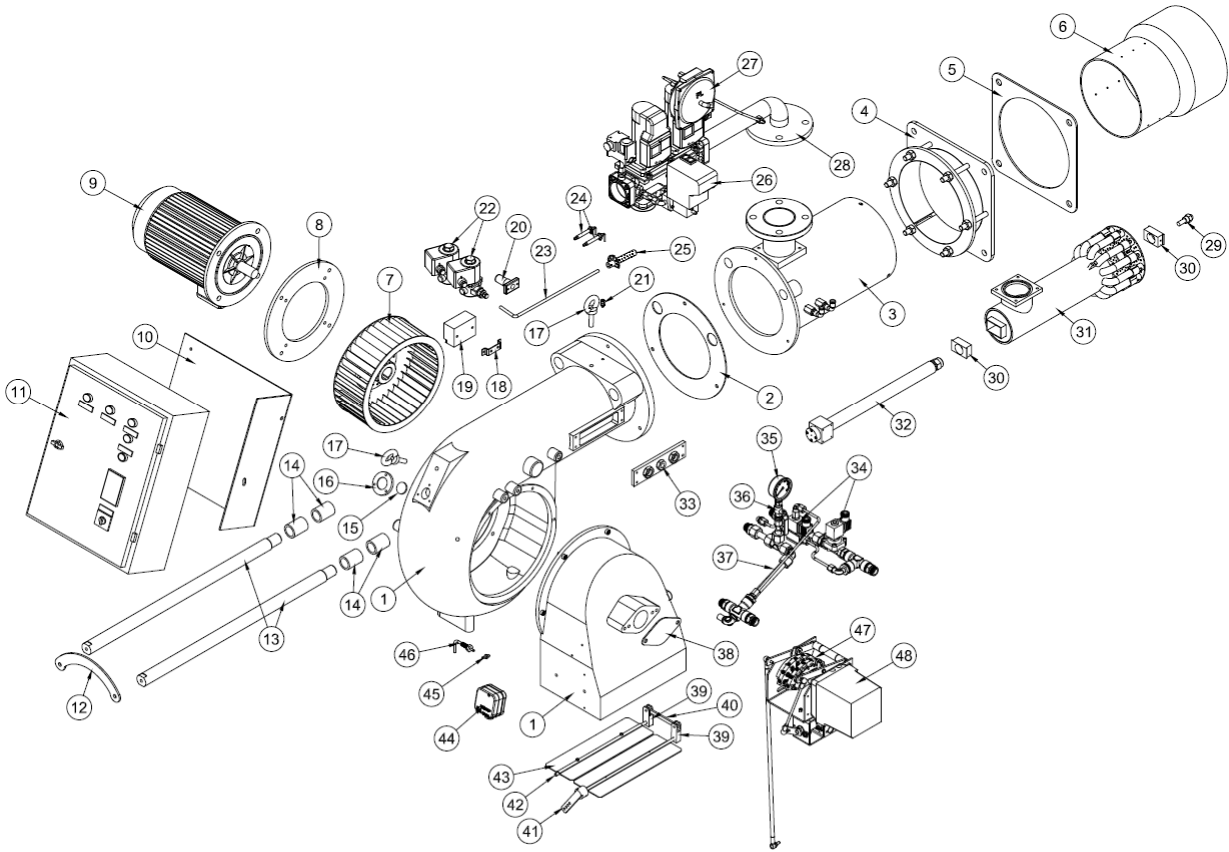
Assembly No	Part Name	Assembly No	Part Name
1	Body group	27	Fuel nozzle
2	Klingerit Gasket	28	Centring wedge
3	Flame Tube	29	Combustion head
4	Boiler Connection Flange	30	Lance
5	Gasket	31	Solenoid valve Connection plate
6	Flame Tube extension	32	Solenoid valve
7	Fan	33	Manometer
8	Motor	34	Ball valve
9	Electrical Panel Mounting Plate	35	Fuel pipes
10	Electrical Panel	36	Air damper motion rod
11	Handling Rod Fixing Plate	37	Air damper transmission rod
12	Handling rod	38	Air damper
13	Observation Glass	39	Air damper
14	VPS	40	Servomotor coupling
15	Gas Solenoid Valve	41	Air damper adjustment rod
16	Gas Intake Pipe	42	Pump housing cover
17	Purger	43	Pressure switch
18	Ignition Transformer	44	Pressure switch adaptor
19	Photocell	45	Pressure switch adaptor
20	Pilot Igniter Gas Solenoid Valve	46	Disc console group
21	Pilot igniter pipe	47	servomotor
22	Pilot igniter electrode	48	Pump nipple
23	Pilot combustion head	49	Pump
24	Oil pre-heater	50	Pump motor console
25	Oil pre-heater housing	51	Motor
26	Oil pre-heater connection part		

ECO 60 KSC3



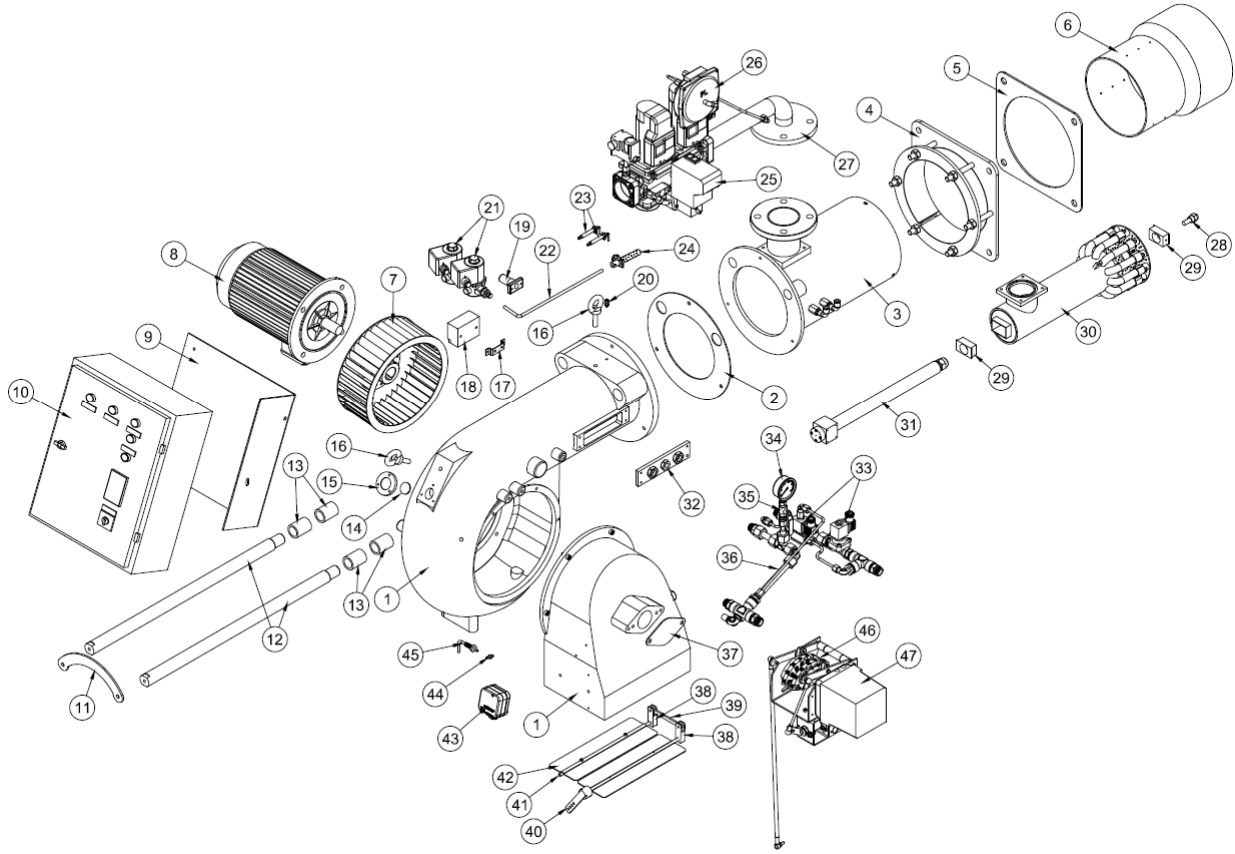
Assembly No	Part Name	Assembly No	Part Name
1	Body group	25	VPS
2	Klingerit Gasket	26	Gas Solenoid Valve
3	Flame Tube	27	Gas Intake Pipe
4	Boiler Connection Flange	28	Fuel nozzle
5	Gasket	29	Centring wedge
6	Fan	30	Combustion head
7	Motor connection flange	31	Lance
8	Motor	32	Solenoid valve connection plate
9	Electrical Panel Mounting Plate	33	Solenoid valve
10	Electrical Panel	34	Manometer
11	Handling Rod Fixing Plate	35	Ball valve
12	Handling rod	36	Fuel pipes
13	Bearing	37	Pump housing cover
14	Observation Glass frame	38	Air damper motion rod
15	Observation Glass	39	Air damper transmission rod
16	Eyebolt	40	Air damper adjustment rod
17	Transformer connection plate	41	Air damper plate
18	Ignition Transformer	42	Air damper shaft
19	Photocell	43	Pressure switch
20	Purger	44	Pressure switch adaptor
21	Pilot Igniter Gas Solenoid Valve	45	Pressure switch adaptor
22	Pilot igniter pipe	46	Disc console group
23	Pilot igniter electrode	47	Servomotor
24	Pilot combustion head		

ECO 65 KSC3



Assembly No	Part Name	Assembly No	Part Name
1	Body group	25	Pilot combustion head
2	Klingerit Gasket	26	VPS
3	Flame Tube	27	Gas Solenoid Valve
4	Boiler Connection Flange	28	Gas Intake Pipe
5	Gasket	29	Fuel nozzle
6	Flame Tube extension	30	Centring wedge
7	Fan	31	Combustion head
8	Motor connection flange	32	Lance
9	Motor	33	Solenoid valve connection plate
10	Electrical Panel Mounting Plate	34	Solenoid valve
11	Electrical Panel	35	Manometer
12	Handling Rod Fixing Plate	36	Ball valve
13	Handling rod	37	Fuel pipes
14	Bearing	38	Pump housing cover
15	Observation Glass frame	39	Air damper motion rod
16	Observation Glass	40	Air damper transmission rod
17	Eyebolt	41	Air damper adjustment rod
18	Transformer connection plate	42	Air damper plate
19	Ignition Transformer	43	Air damper shaft
20	Photocell	44	Pressure switch
21	Purger	45	Pressure switch adaptor
22	Pilot Igniter Gas Solenoid Valve	46	Pressure switch adaptor
23	Pilot igniter pipe	47	Disc console group
24	Pilot igniter electrode	48	Servomotor

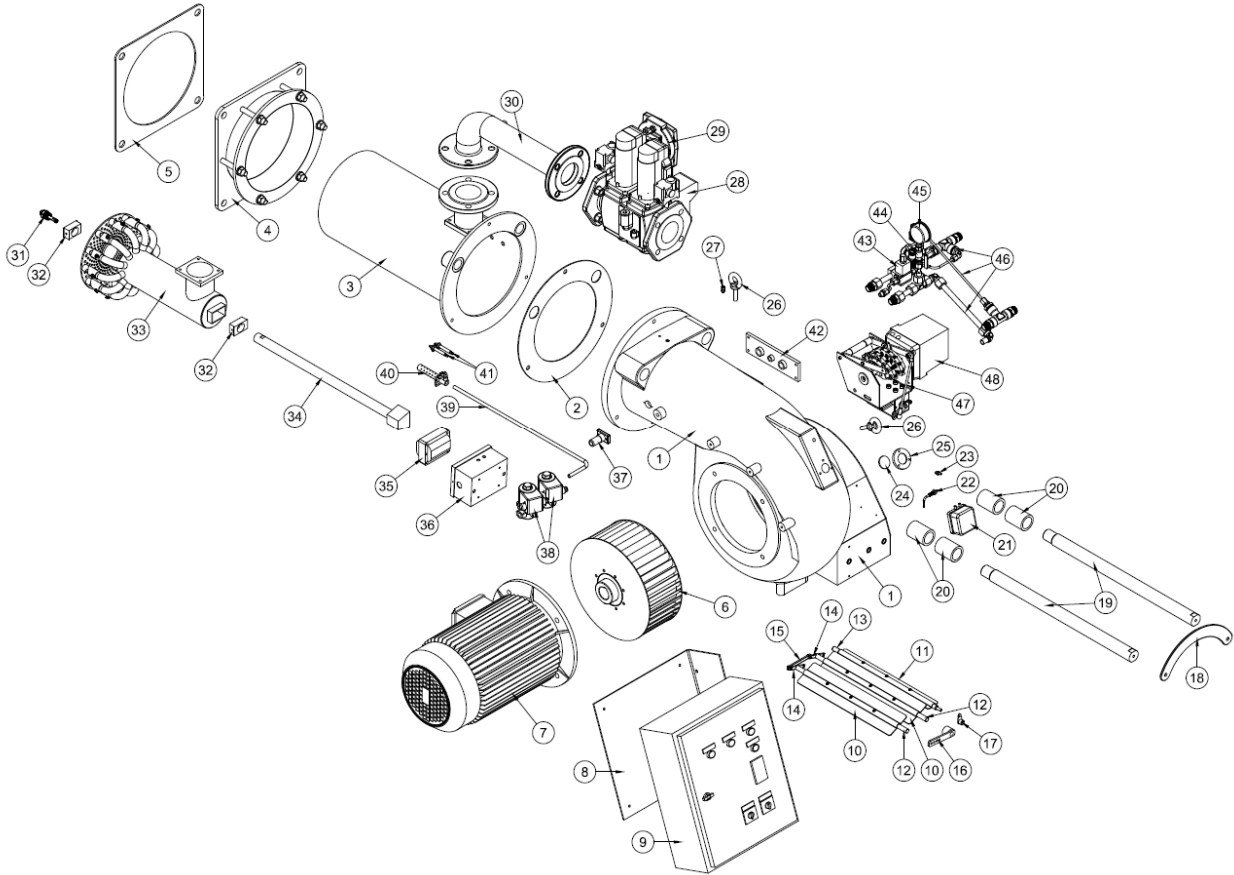
ECO 70 KSC3





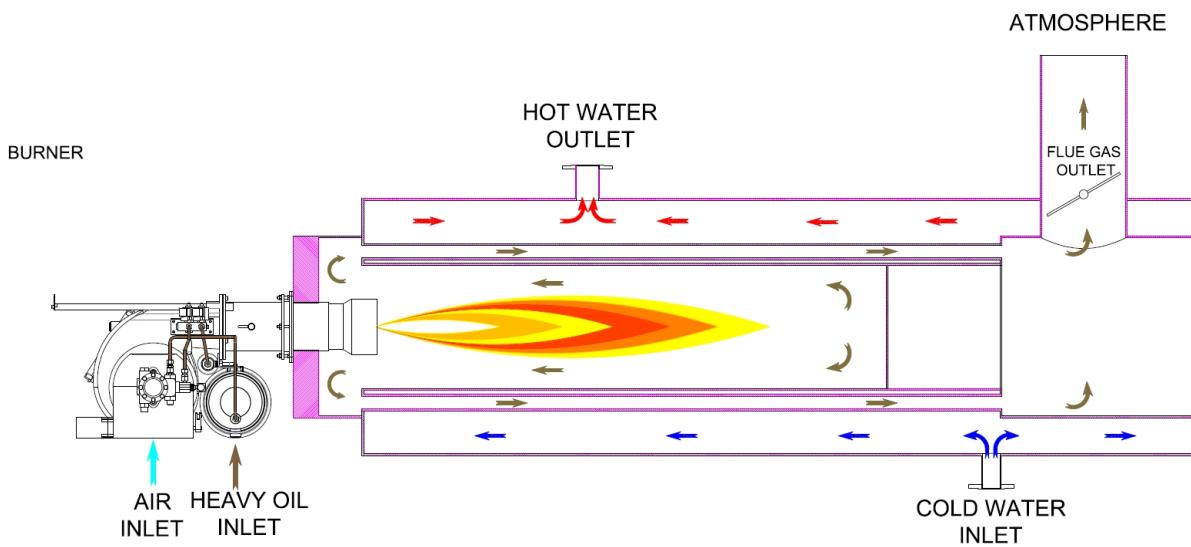
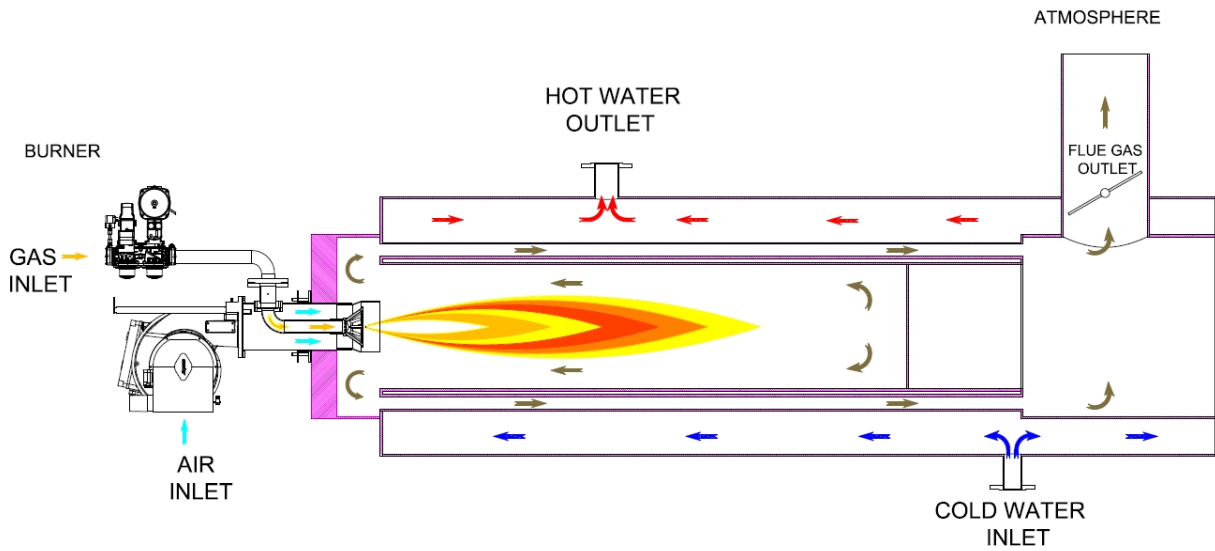
Assembly No	Part Name	Assembly No	Part Name
1	Body group	25	VPS
2	Klingerit Gasket	26	Gas Solenoid Valve
3	Flame Tube	27	Gas Intake Pipe
4	Boiler Connection Flange	28	Fuel nozzle
5	Gasket	29	Centring wedge
6	Flame Tube extension	30	Combustion head
7	Fan	31	Lance
8	Motor	32	Solenoid valve connection plate
9	Electrical Panel Mounting Plate	33	Solenoid valve
10	Electrical Panel	34	Manometer
11	Handling Rod Fixing Plate	35	Ball valve
12	Handling rod	36	Fuel pipes
13	Bearing	37	Pump housing cover
14	Observation Glass frame	38	Air damper motion rod
15	Observation Glass	39	Air damper transmission rod
16	Eyebolt	40	Air damper adjustment rod
17	Transformer connection plate	41	Air damper plate
18	Ignition Transformer	42	Air damper shaft
19	Photocell	43	Pressure switch
20	Purger	44	Pressure switch adaptor
21	Pilot Igniter Gas Solenoid Valve	45	Pressure switch adaptor
22	Pilot igniter pipe	46	Disc console group
23	Pilot igniter electrode	47	Servomotor
24	Pilot combustion head		

**ECO 75 KSC3**



Assembly No	Part Name	Assembly No	Part Name
1	Body group	26	Eyebolt
2	Klingerit Gasket	27	Purger
3	Flame Tube	28	VPS
4	Boiler Connection Flange	29	Gas Solenoid Valve
5	Gasket	30	Gas Intake Pipe
6	Fan	31	Fuel nozzle
7	Motor	32	Centring wedge
8	Electrical Panel Mounting Plate	33	Combustion head
9	Electrical Panel	34	Lance
10	Air damper plate	35	Ignition transformer
11	Air damper plate	36	Transformer box
12	Air damper shaft	37	Photocell
13	Air damper shaft	38	Pilot Igniter Gas Solenoid Valve
14	Air damper motion rod	39	Pilot igniter pipe
15	Air damper transmission rod	40	Pilot combustion head
16	Air damper adjustment rod	41	Pilot igniter electrode
17	Air damper gauge pointer	42	Solenoid valve connection plate
18	Handling Rod Fixing Plate	43	Solenoid valve
19	Handling rod	44	Ball valve
20	Bearing	45	Manometer
21	Pressure switch	46	Fuel pipes
22	Pressure switch adaptor	47	Pump housing cover
23	Pressure switch adaptor	48	Disc console group
24	Observation Glass	49	Servomotor
25	Observation Glass frame		

#### 4. GAS, FLUE GAS AND HEATING WATER SCHEMA



## 5. TECHNICAL DATA

### 5.1. Capacity Table

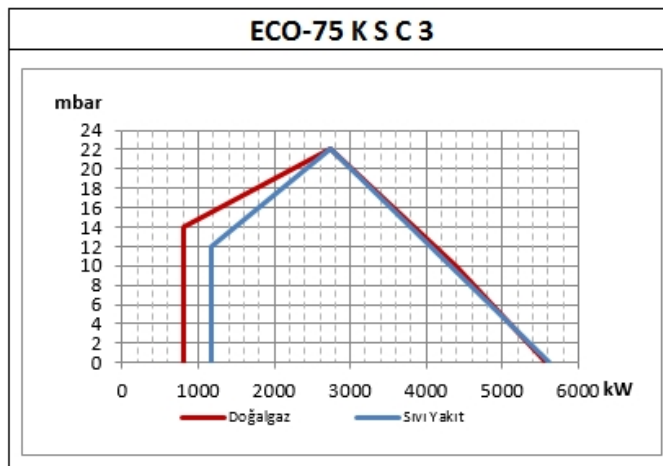
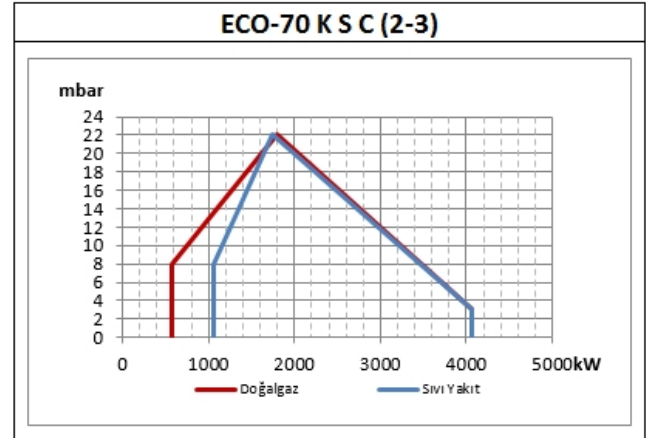
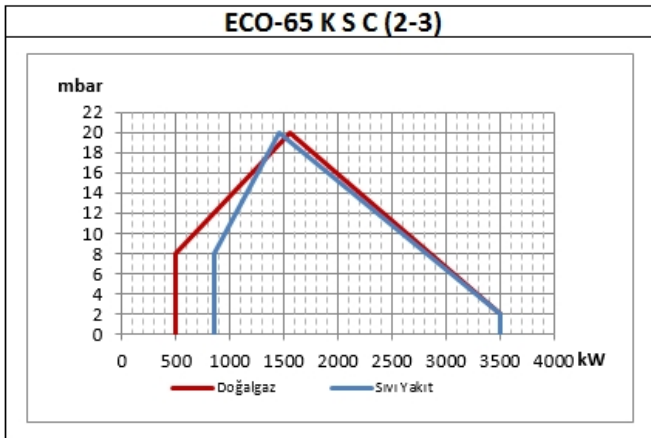
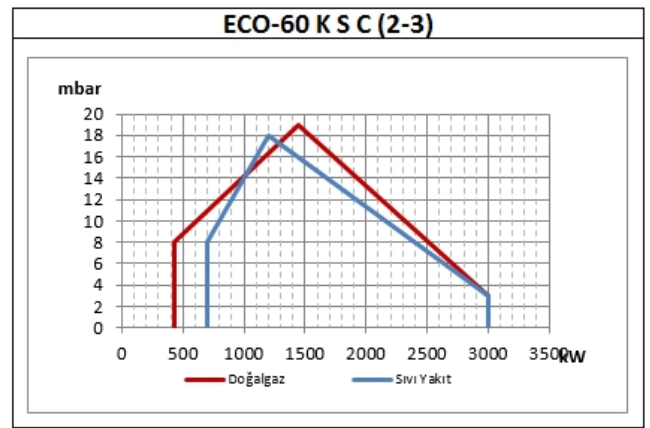
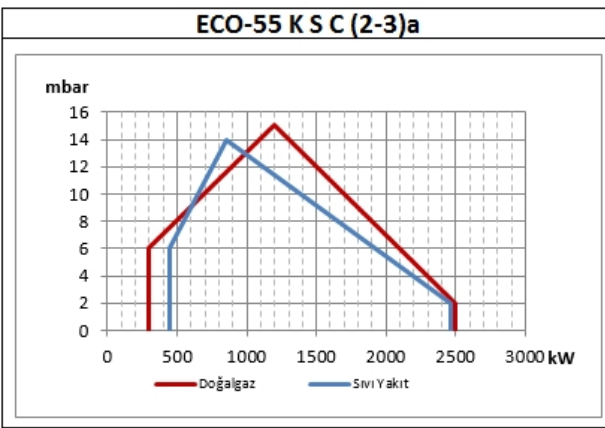
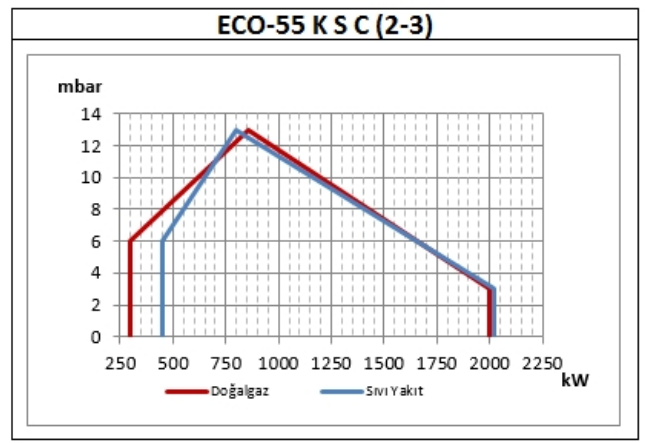
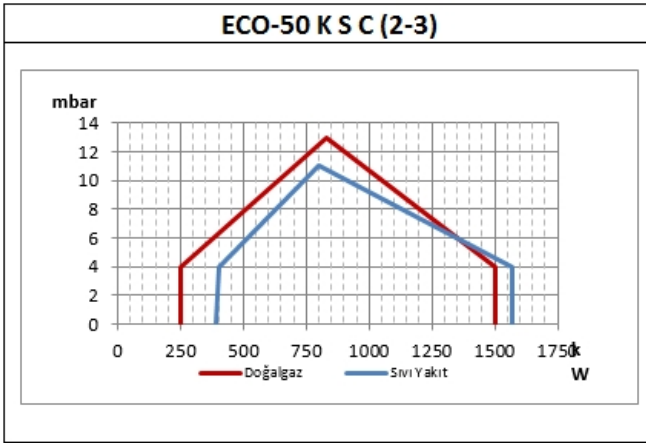
<b>GAS-HEAVY OIL DUAL BURNERS CAPACITY TABLE</b>																
BURNER TYPE	GAS CAPACITY		GAS CAPACITY		NATURAL GAS CONSUMPTION		HEAVY-OIL CAPACITY		HEAVY OIL CAPACITY		HEAVY OIL CONSUMPTION		FAN MOTOR POWER	OIL PUMP POWER	OIL HEATER	MAIN SUPPLY
	Min. kcal/h	Max. kcal/h	Min. kW	Max. kW	Min. Nm <sup>3</sup> /h	Max. Nm <sup>3</sup> /h	Min. kcal/h	Max. kcal/h	Min. kW	Max. kW	Min. kg/h	Max. kg/h	kW	kW	kW	VAC
<b>TWO STAGE GAS/HEAVY OIL DUAL BURNERS</b>																
ECO 50 K S C 2	215.000	1.290.000	250	1500	26,1	156,4	337.750	1.351.000	393	1571	35,00	140,00	2,2	0,75	6	3N 400
ECO 55 K S C 2	258.000	1.720.000	300	2000	31,3	208,5	386.000	1.737.000	449	2020	40,00	180,00	3	0,75	12	3N 400
ECO 55 K S C 2a	258.000	2.150.000	300	2500	31,3	260,6	386.000	2.123.000	449	2469	40,00	220,00	3	0,75	12	3N 400
ECO 60 K S C 2	369.800	2.580.000	430	3000	44,8	312,7	598.560	2.580.000	696	3000	62,03	267,36	4	0,75	14	3N 400
ECO 65 K S C 2	430.000	3.010.000	500	3500	52,1	364,8	733.580	3.010.000	853	3500	76,02	311,92	5,5	0,75	14	3N 400
ECO 70 K S C 2	498.800	3.500.200	580	4070	60,5	424,3	916.760	3.500.200	1066	4070	95,00	362,72	7,5	0,75	2 x 9	3N 400

<b>MODULATING GAS/HEAVY OIL DUAL BURNER</b>																
ECO 50 K S C 3	215.000	1.290.000	250	1500	26	156	337.750	1.351.000	393	1571	35,00	140,00	2,2	0,75	6	3N 400
ECO 55 K S C 3	258.000	1.720.000	300	2000	31	208	386.000	1.737.000	449	2020	40,00	180,00	3	1,1	12	3N 400
ECO 55 K S C 3a	258.000	2.150.000	300	2500	31	261	386.000	2.123.000	449	2469	40,00	220,00	3	1,1	12	3N 400
ECO 60 K S C 3	369.800	2.580.000	430	3000	45	313	598.560	2.580.000	696	3000	62,03	267,36	4	1,1	14	3N 400
ECO 65 K S C 3	430.000	3.010.000	500	3500	52	365	733.580	3.010.000	853	3500	76,02	311,92	5,5	1,5	2 x 9	3N 400
ECO 70 K S C 3	498.800	3.500.200	580	4070	60	424	916.760	3.500.200	1066	4070	95,00	362,72	7,5	1,5	2 x 9	3N 400
ECO 75 K S C 3	686.000	4.800.000	798	5581	83	582	1.003.620	4.824.600	1167	5610	104,00	499,96	11	1,5	2 x 14	3N 400

**H<sub>u</sub> Natural Gas = 8250 Kcal/Nm<sup>3</sup>**

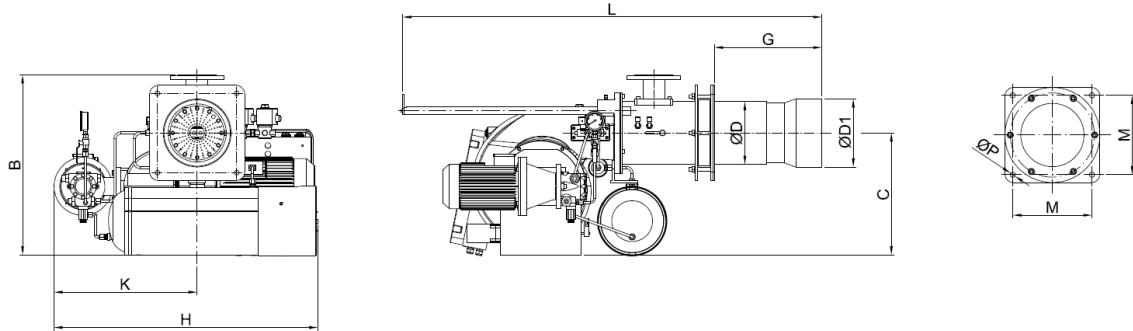
**H<sub>u</sub> Heavy Oil (S) = 9650 Kcal/kg**

## 5.2. Back Pressure-Capacity Diagrams

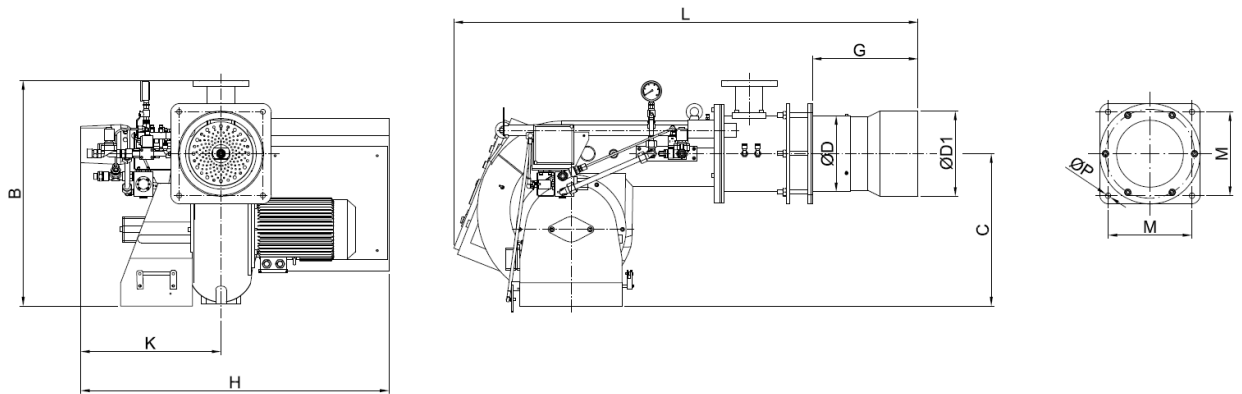


### 5.3. Burner Dimensions

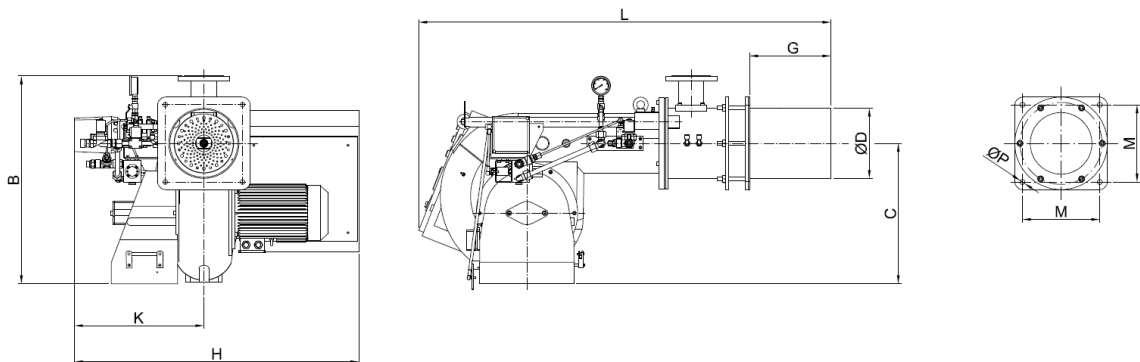
ECO 50 ECO 55



ECO 65 ECO 70



ECO 60 ECO 75



	L	Gmin	Gmax	H	K	B	C	ØP	M	ØD	ØD1
ECO 50 K (S)	1370	280	440	900	500	625	422	18	275	218	236
ECO 55 K (S)	1370	280	440	900	500	625	422	18	275	218	236
ECO 60 K (S)	1450	200	355	1100	590	730	510	18	275	240	-
ECO 65 K (S)	1580	200	440	1100	590	735	510	18	275	250	280
ECO 70 K (S)	1580	200	440	1100	590	735	510	18	275	250	280
ECO 75 K (S)	1450	200	340	1130	600	795	525	22	335	300	-

#### 5.4. Gas Hood Pressure Loss Diagram



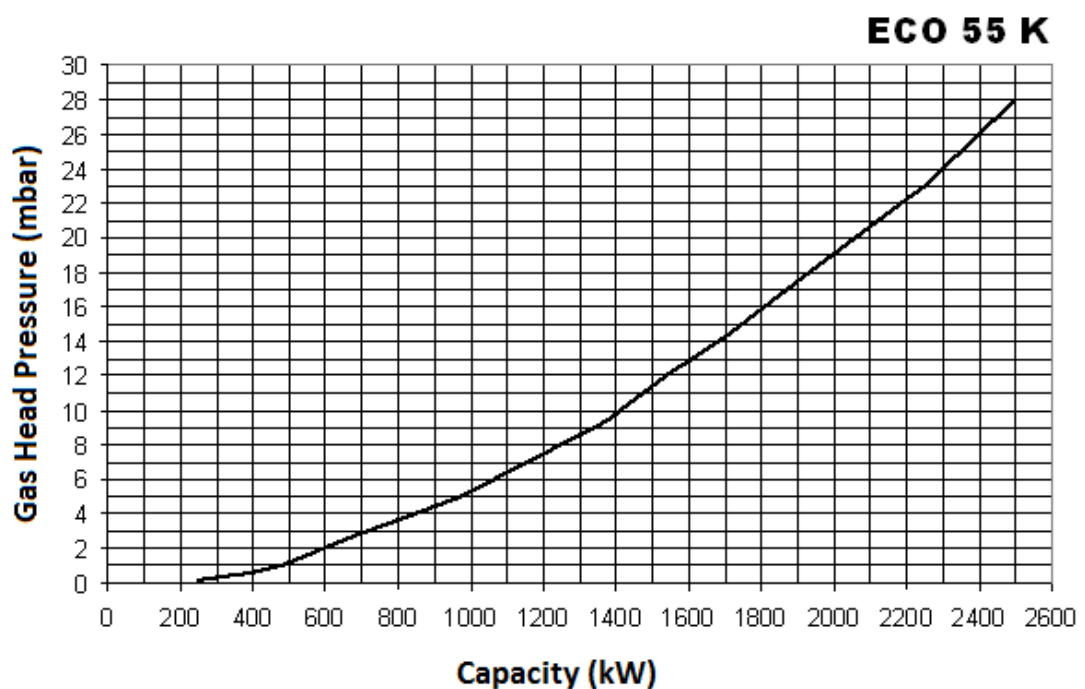
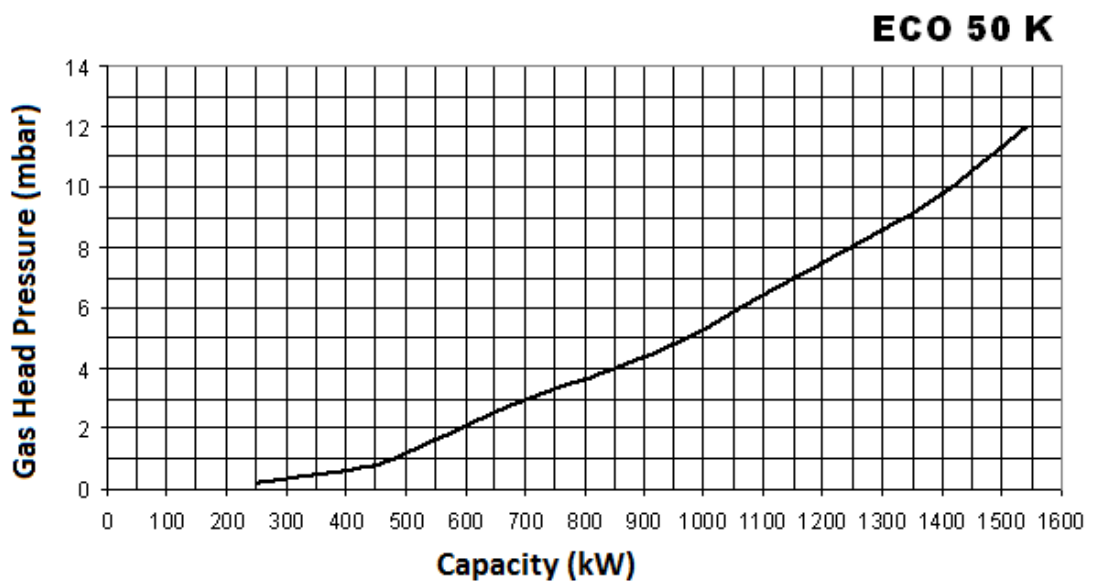
Gas hood pressure loss measurements are conducted in atmospheric pressure. Consider the below data while conducting measurement in counter pressure boilers.

$P_m$ : Gas hood pressure while burner is connected to the boiler and working

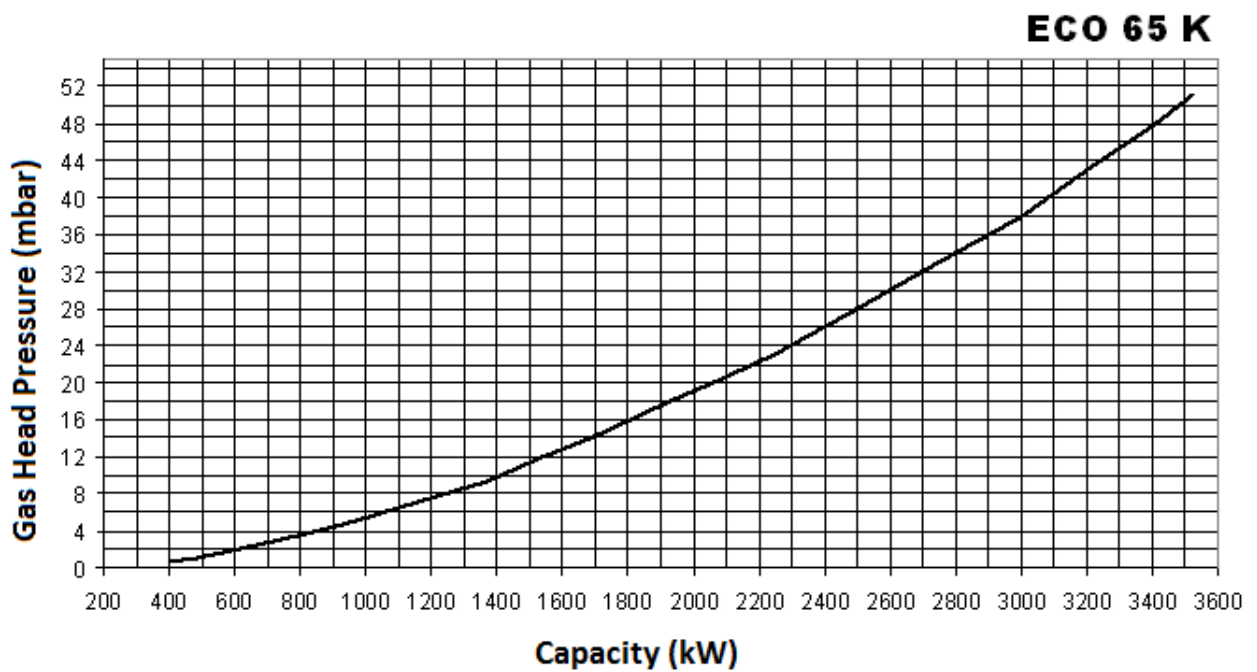
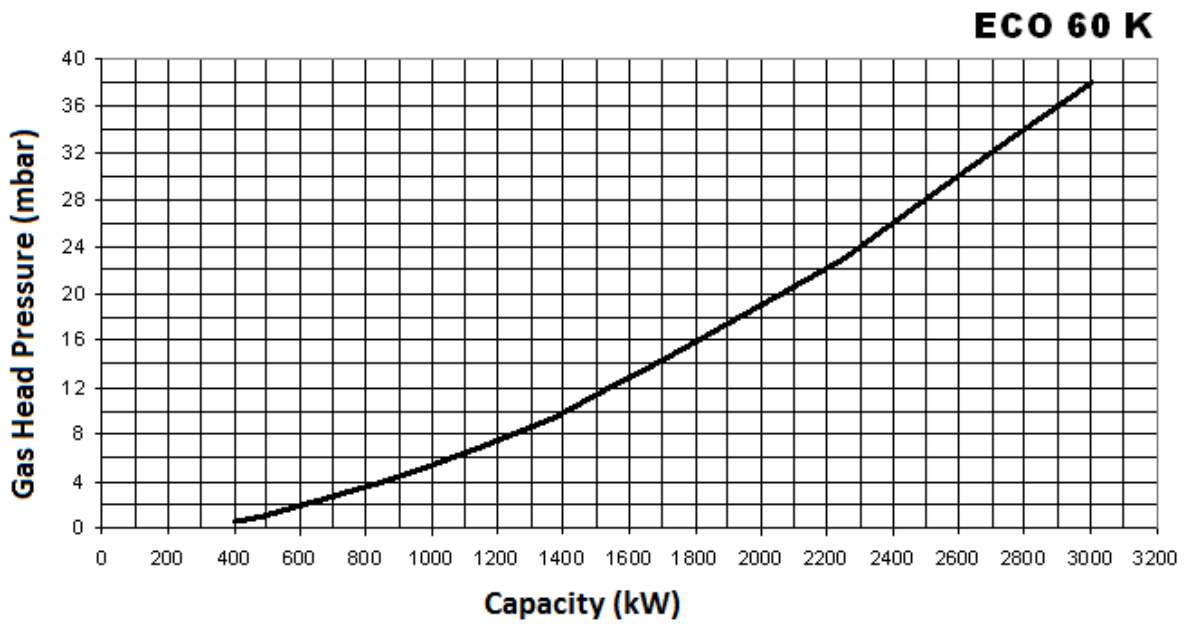
$P_F$ : Combustion chamber pressure

$P_{Br}$ : Burner net gas hood pressure

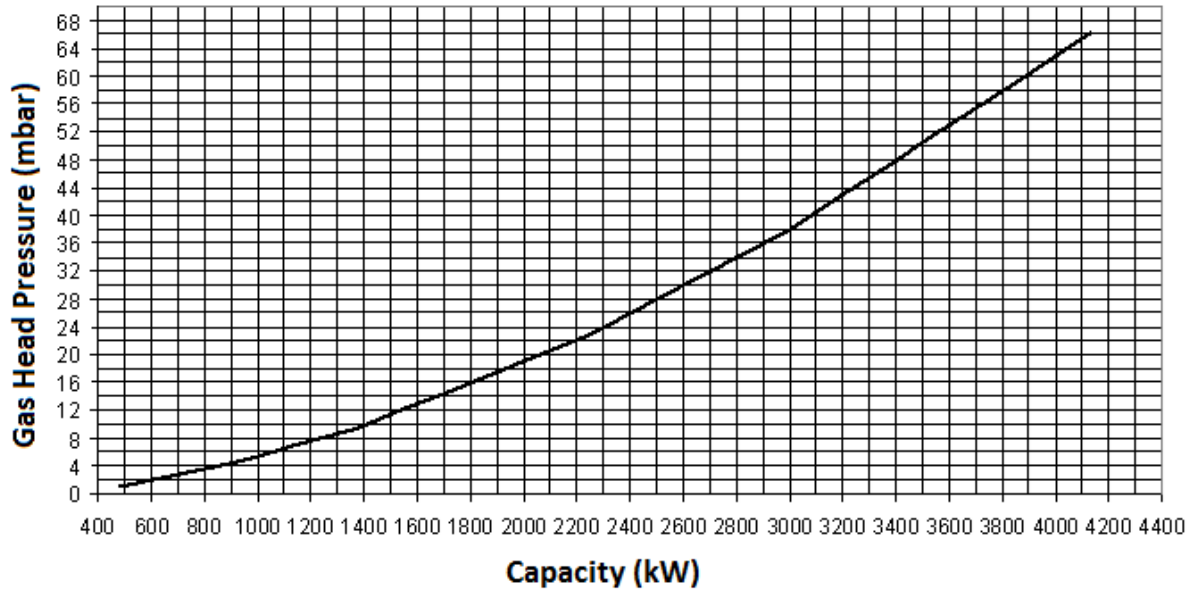
$$P_{Br} = P_m - P_F$$



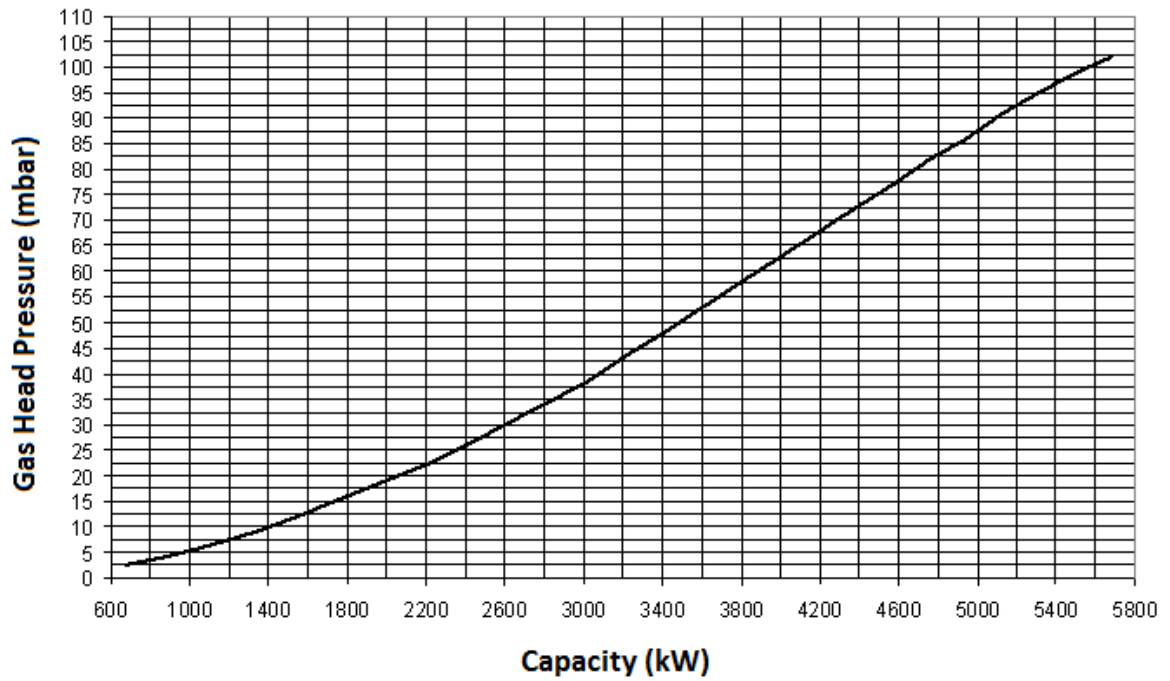




**ECO 70 K**

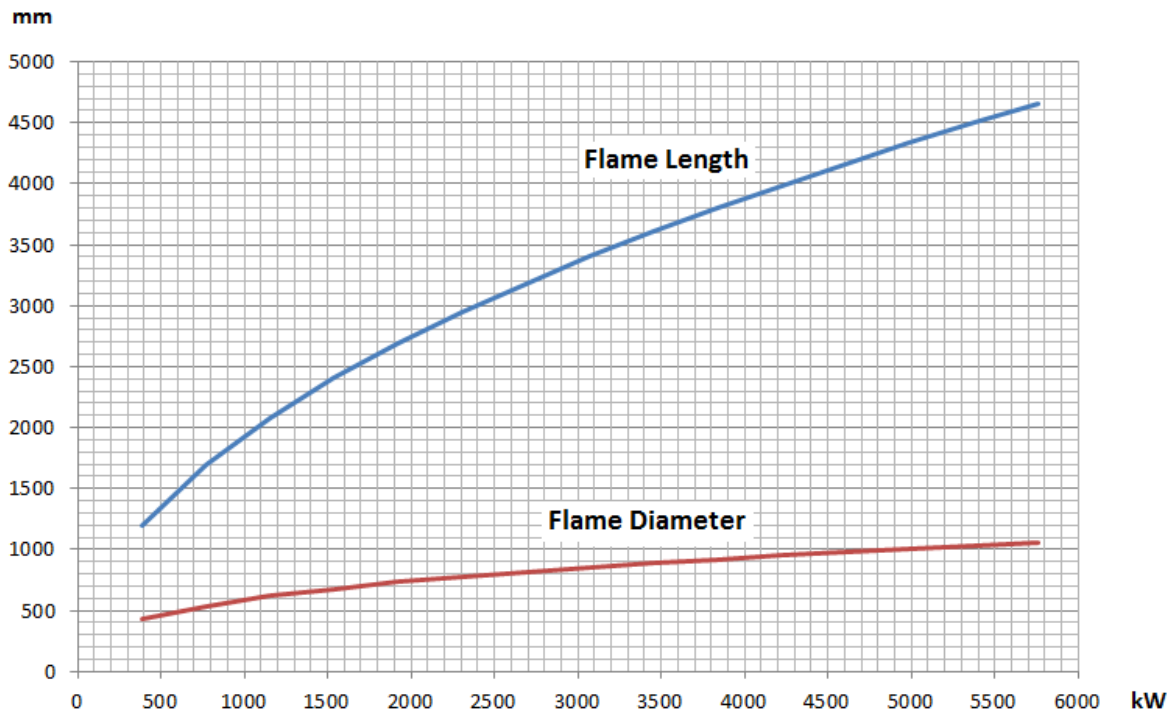


**ECO 75 K**

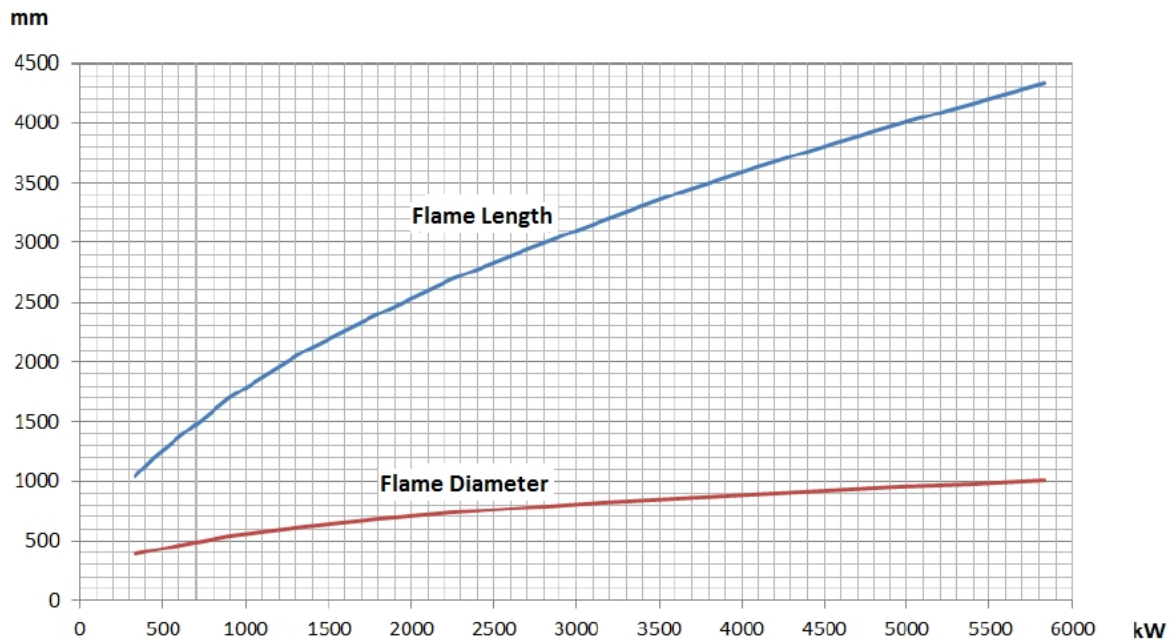


## 5.5. Flame Length and Diameter

### Natural Gas



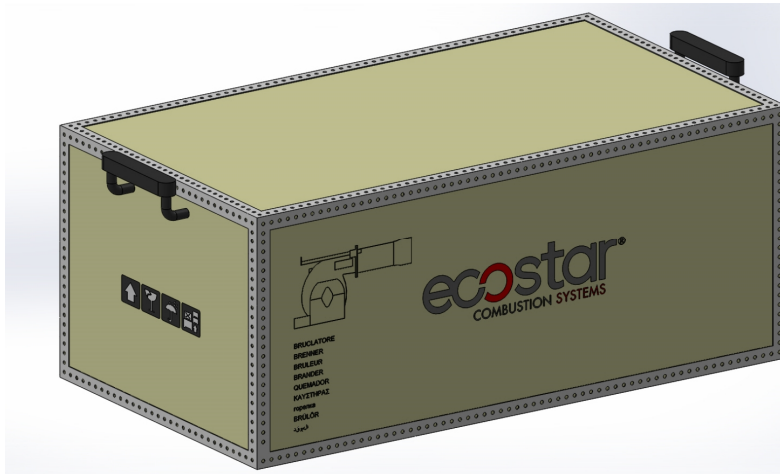
### Heavy Oil



## 5.6. Noise Level

Product operates within the range of 80 decibels max. and 85 decibels.

## 6. BURNER HANDLING INFORMATION



- Lift the product by holding the handles as seen in the picture.
- Prevent strong impacts on top of the product and vibration while handling the product.
- Do not leave the product in wet environment.

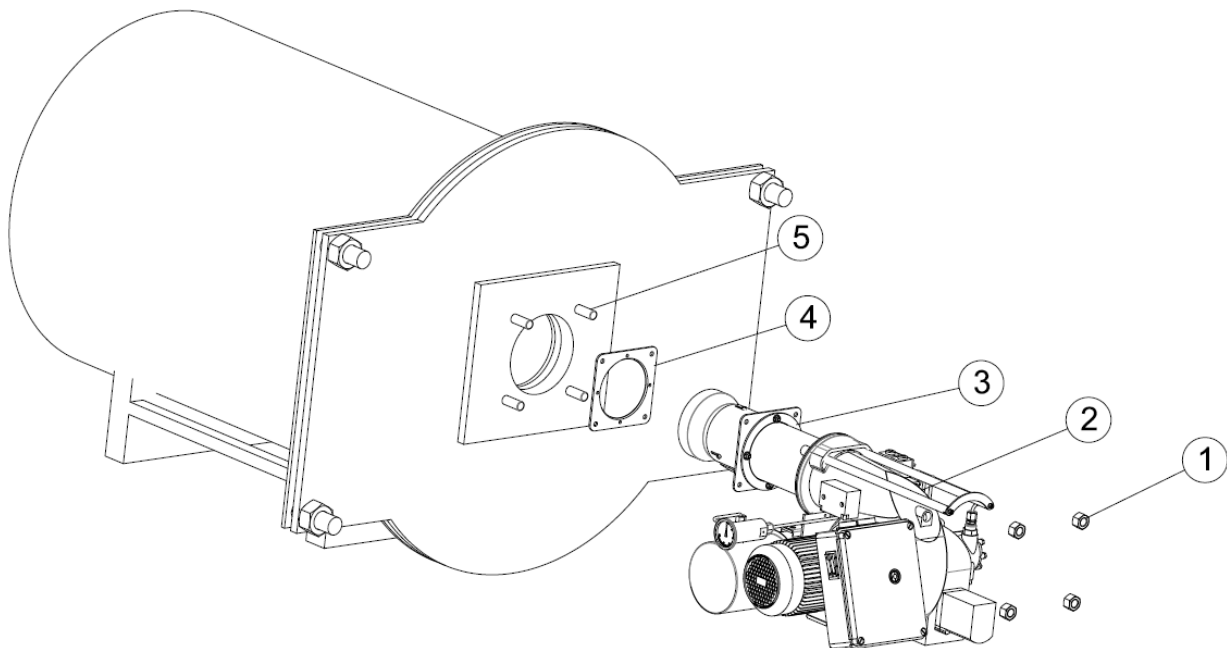


Dimensions of the box used for handling

Burner	L x W x H (cm)	Weight(kg)
ECO 50 KSC(2,3)	136 X 90 X 66	150
ECO 55 KSC(2,3)	136 X 90 X 66	196
ECO 55 KSC(2,3)a	136 X 90 X 66	196
ECO 60 KSC(2,3)	160 X 115 X 74	250
ECO 65 KSC(2,3)	170 X 90 X 74	250
ECO 70 KSC(2,3)	170 X 90 X 74	250
ECO 75 KSC3	165 X 118 X 80	318

## 7. INSTALLATION

### 7.1. Burner Installation Picture



- 1- Drift Bolts
- 2- Burner
- 3- Boiler Connection Flange
- 4- Gasket
- 5- Boiler Studs

- Ø In the installation of the burner, use the installation materials supplied with the burner.
- Ø Secure the burner connection flange onto the burner cover by 4 bolts. Gasket must be connected such that it will remain between connecting flange and boiler cap.

#### **After completing the installation of the burner on the boiler:**

- Ø Connect the oil feed pipes.
- Ø Connect the burner panel to the mains by a cable suitable for the rated power.



Device must be shipped in original packaging!

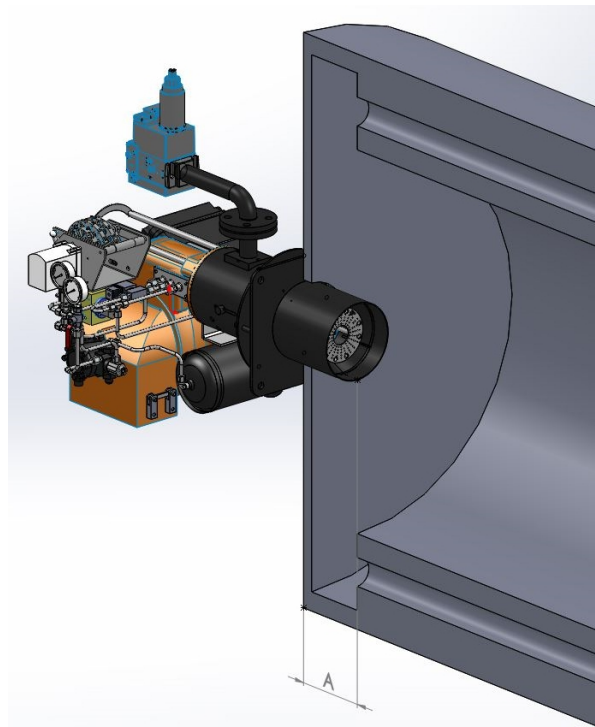


Do not lift the device holding from servomotor, gas valve, impulse pipes or pressure switch during installation!



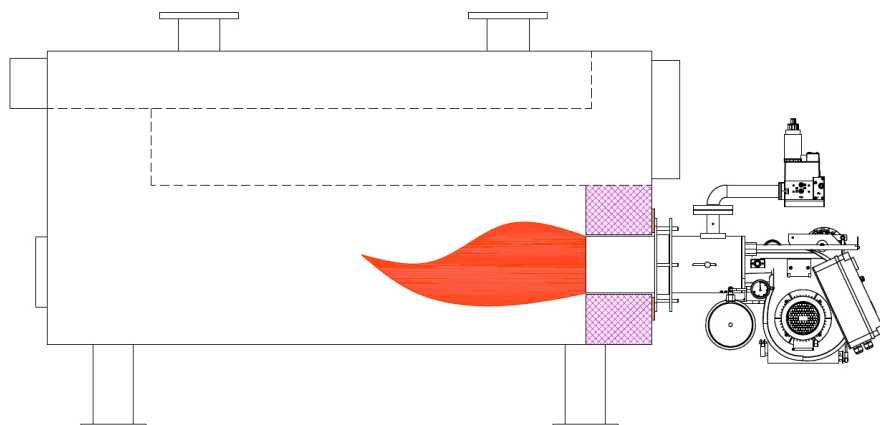
Clean the inside of fuel line thoroughly before installing the burner to the fuel line. Any damage that may occur due to solid objects and metal particles from the fuel line shall not be covered by our company.

### 7.2. In reverse flame front mirror boilers



While installing the burner in reverse flame front mirror boilers, flame tube tip must be adjusted such that it gets inside by 50 mm-100 mm from flue pipes ( $50\text{mm} \leq A \leq 100\text{mm}$ ). Otherwise flue gas temperature will rise and fuel consumption will increase.

### 7.3. In cylindrical (straight flame) boilers



## 8. COMMISSIONING

### 8.1. Before Commissioning



#### Electrical Connection

Perform electrical connections according to the diagram provided with the burner. Follow general security rules during installation of electric wiring and making connections. Connect the earthing terminal in electric panel to the earthing installation.

### 8.2. General Controls



Make sure to perform the following controls before commissioning the burner.

- Ø Installation of the burner to the boiler is checked.
- Ø Check the fuel line (are the pipe diameters and the pipe installation correct?).
- Ø Check energy input cables and voltages.
- Ø Check the boiler safety thermostats and, if it is a two-stage burner, then make sure that there are two thermostats.
- Ø Check the fuel nozzles according to the boiler capacity.
- Ø Prior to operating the burner, control the boiler water level.
- Ø Make sure water circulation system is turned on, and steam boiler and water feed pumps and boiler inlet - outlets are open.
- Ø Is there electricity current?
- Ø Is there gas?
- Ø Has the boiler explosion lid been controlled?
- Ø Is there sufficient air in boiler room (ventilation section  $\text{cm}^2 = \text{boiler capacity kW} \times 7$ )
- Ø Has the air of the gas line been removed? Has a sealing test been made?

### Commissioning order

#### Operating with Fuel-Oil ;

- Ø After performing the above mentioned controls, open the fuel tank valve.
- Ø Open the valve upstream of the fuel filter.
- Ø Check direction of motor rotation.
- Ø Open the pump's vent plug and place the manometer (0-40 bar).
- Ø Turn on the burner switch (turn to position 1).
- Ø When the burner starts up, the motor is activated and turns the pump at the same time.
- Ø The pump filter should be cleaned frequently (every 30 minutes) during the first commissioning, and please ensure that the fuel reaches the pump without interruption.
- Ø It actuates pre-purge and discharges the residual gases remaining in the boiler from the funnel.
- Ø After the pre-purge, fuel is delivered from the nozzle. The fuel meets the flame from the ignition electrodes and the combustion starts.
- Ø After combustion of the burner, the pump pressure is adjusted (heavy oil: 18 bar).
- Ø If the burner has two stages, the switch is brought to position "2", and the capacity of the burner is increased through servomotor. Ideal combustion is obtained by increasing the amount of air by the fuel given according to analyses value.
- Ø The boiler thermostat is adjusted as desired (70-90°C for central heating boilers).
- Ø For the safety of the system, check the boiler thermostats and observe the deactivation of the burner.

## **Operating with Gas ;**

### **Operation of two-stage burner**

- Ø Open the main gas valve, check the gas pressure from the manometer at the valve. (max.300 mbar)
- Ø Check the boiler thermostat or pressure switch settings.
- Ø Bring the operating switch on the burner panel to position 2.
- Ø Burner fan motor will be activated.
- Ø Ignition will take place at the end of pre-purge process.
- Ø 3 sec. later, the gas valve will be opened and combustion will occur.
- Ø Flame control system (ionization) will start flame control.
- Ø Burner will switch to the second stage (max. capacity) according to the heat requirement.
- Ø After the boiler water heated up or the boiler pressure has risen, the burner will turn off.

### **Operation of a modulating burner**

- Ø Open the main gas valve; check max 300 mbar gas pressure from the manometer.
- Ø Open operating switch on the burner panel.
- Ø Switch on the modulating control switch.
- Ø Switch automatic-hand switch to automatic.
- Ø Check the temperature and pressure set values from the modulating control unit.
- Ø Ignition will take place at the end of pre-purge process.
- Ø 3 sec. later, the gas valve will be opened and combustion will occur.
- Ø Flame control system (ionization) will start flame control.
- Ø In modulating burner, the burner goes into max. capacity according to the signal from the modulating control unit.
- Ø When the boiler water temperature or steam pressure increase, the modulating control unit will cause burner to run with min. capacity.
- Ø If the boiler water temperature or steam pressure increases despite the operation of burner with min. capacity, the modulating control unit will stop the burner.

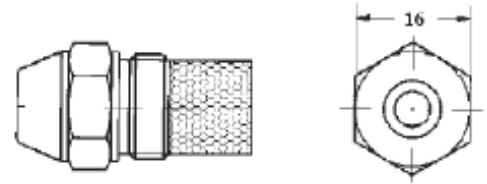


### 8.3. Combustion Adjustment

#### Ø Fuel nozzle

Use proper wrench in installation and dismantle of the fuel nozzle.

Use diesel oil to clean the fuel nozzle. Do not use thinner and its derivatives.



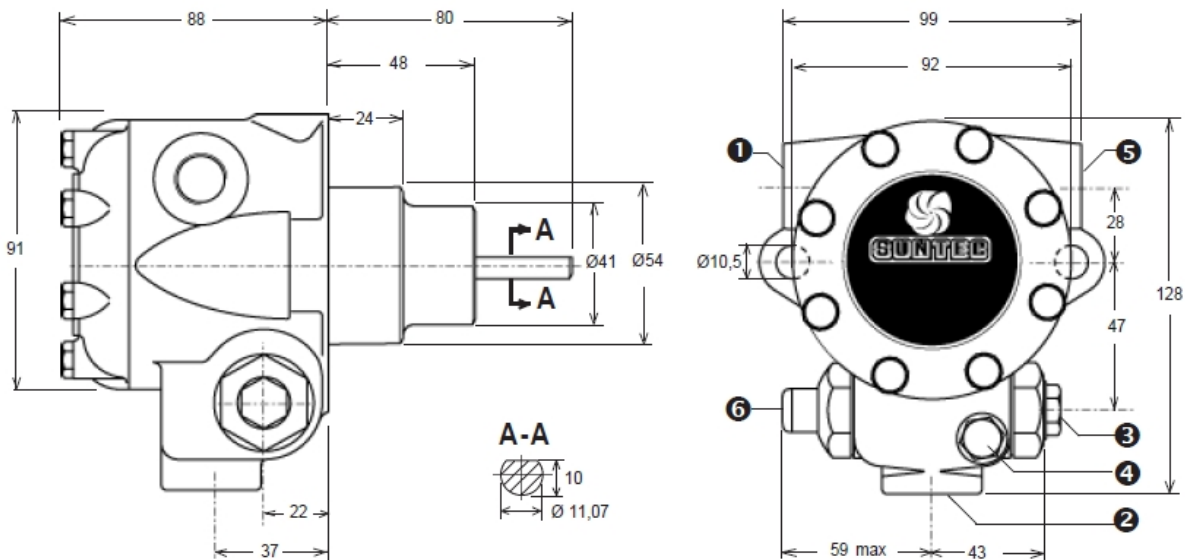
#### Ø Photocell

Check the photocell weekly. Clean the dust or fume stains on the glass of photocell by a dry cloth.



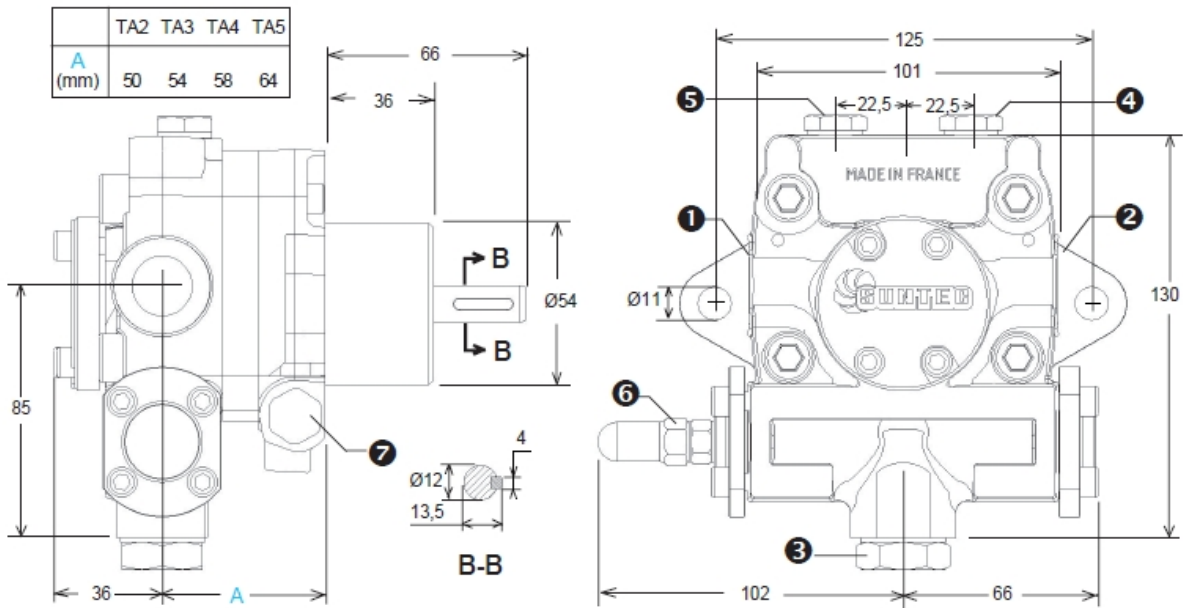
### 8.4. Fuel Pumps

#### E Type



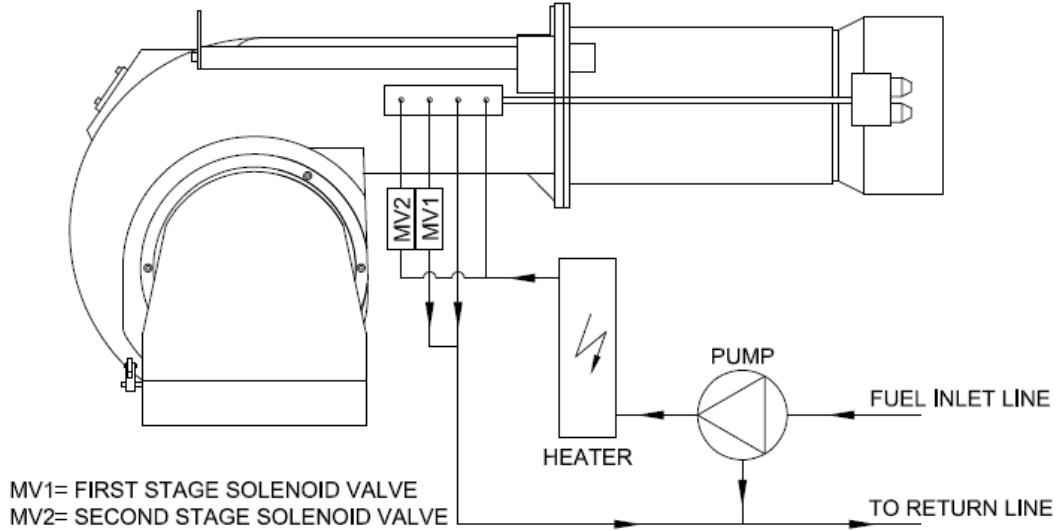
- 1- Suction or vacuum manometer connection
- 2- Return and internal bypass
- 3- Nozzle outlet
- 4- Manometer connection
- 5- Vacuum manometer connection
- 6- Pressure adjustment

## TA Type

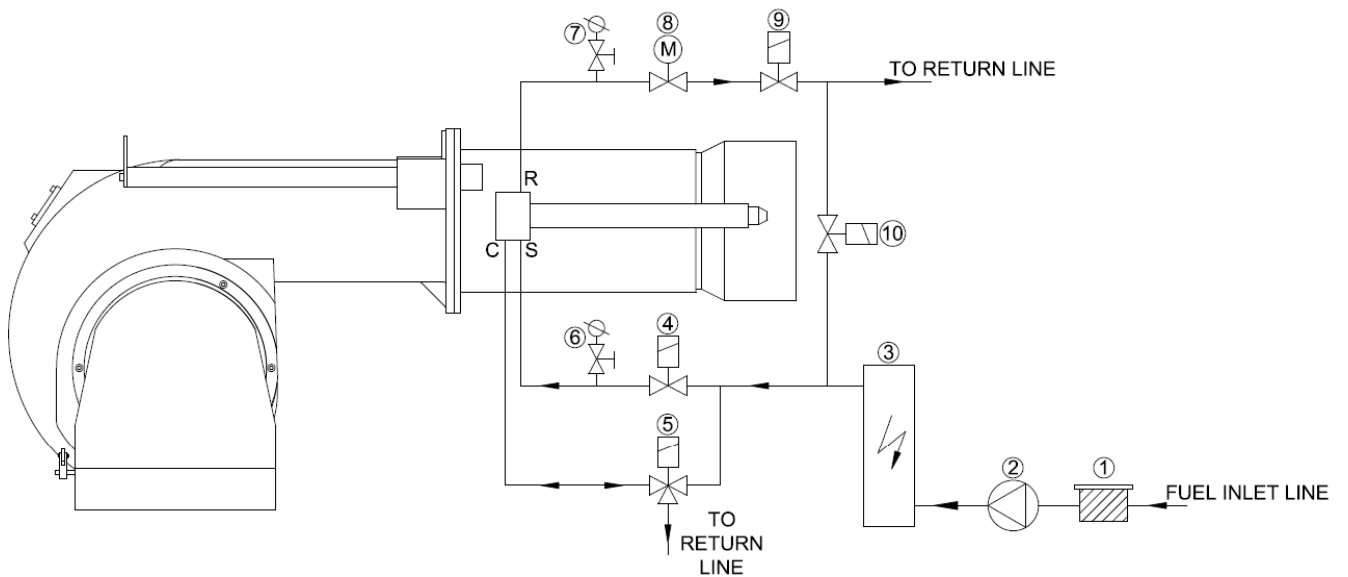


1. Suction
2. Nozzle outlet
3. Return
4. Manometer inlet
5. Vacuum or inlet manometer and internal return inlet
6. Pressure adjustment
7. Pre heater location

**Ø Two Stages Heavy Oil Burner Fuel Circuit**



**Ø Modulating Heavy Oil Burner Fuel Circuit**



1	FILTER
2	PUMP
3	HEATER
4	FUEL INLET VALVE (N.C.)
5	HYDRAULIC CONTROL VALVE
6	MANOMETER
7	MANOMETER
8	OIL REGULATING VALVE
9	FUEL RETURN VALVE (N.C.)
10	CIRCULATION VALVE (N.O.)

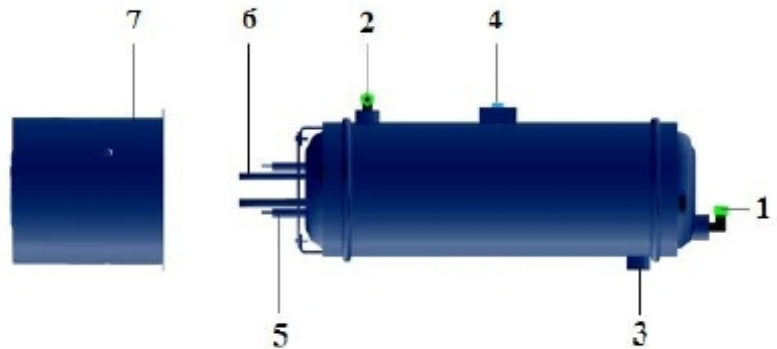


**CAUTION!**

- Ø **End of the line to the main tank must be open to the atmosphere and line pressure must be zero, otherwise no healthy modulating operation can be ensured since the pressure, which is to form in return, will also affect nozzle pressure. Fuel may drop from nozzle end during stops.**
- Ø **For good pulverization, periodically check durability of the o-ring. In the event of earing of the o-ring, fuel to the nozzle can by-pass and go directly to the return and reduces the working performance of the nozzle.**
- Ø **Maximum operating pressure of the nozzle is 30 bars, while its maximum operating temperature is 140°C. These values should not be exceeded during working. Even if these out of control value are exceeded, nozzle must be taken to emergency maintenance and all O-rings must be replaced.**
- Ø **Do not use solvent based materials (thinner and derivatives) during cleaning of the fuel nozzle; clean with gas oil or diesel oil. Fuel nozzle inner kit is very sensitive and even invisible deformations can reduce working performance; dismantling-installing work must be performed only by trained personnel.**
- Ø **Spring has lost its function if dropping from fuel nozzle or fuel exit at large scale is observed when the nozzle performs circulation. It must be checked and replaced if necessary.**
- Ø **During fuel supply, the pressure at the burner fuel pump must be max. 1.0 + 0.2 bar for fuel oil. When the burner is not operating or operating at the maximum fuel flow required, fuel supply pressure value should not changed in the burner pump.**

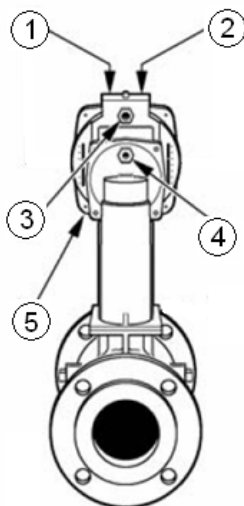
## Ø Burner preheater

1. Fuel inlet
2. Fuel outlet
3. Discharge
4. Fixing plate
5. Resistance
6. Thermostat bulb pipe
7. Housing cover



## 8.5. Gas Adjustment

### 8.5.1. VGD 20 4011 - 5011 Series Gas Valve



## SKP 75 Connection Diagram

- 1 – Air-gas adjustment ratio
- 2 – Zero "0" point (start) adjustment
- 3 – Boiler counter pressure impulse connection
- 4 – Gas pressure impulse connection
- 5 – Air pressure impulse connection

## 8.6. Air Pressure Switch Adjustment

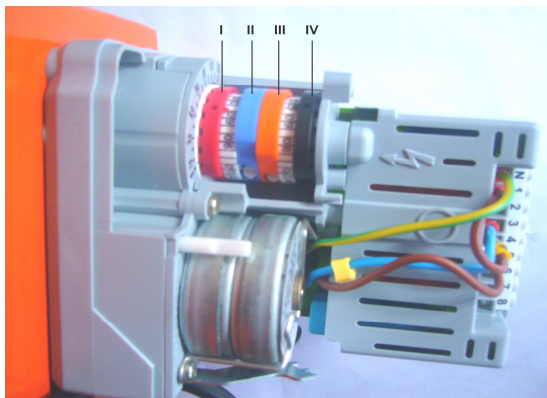
While the burner is working without any problem, the air pressure switch is adjusted to desired minimum pressure as follows.

- Ø Unscrew the screw of the transparent cover and remove the cover.
- Ø Turn the adjustment wheel in the direction to increase the pressure, note the pressure value at which the burner is failed.
- Ø Set the pressure switch to a value 1 mbar lower than the pressure value at which the burner failed and close the pressure switch lid.
- Ø It is recommended that this adjustment is carried out when the burner is at minimum load.



## 8.7. Servomotor Adjustment

Ø SQN70



### At Two-stage Burners;

- I. Red Cam: Adjusts 2nd level max. air.
- II. Blue Cam: Resets the clamp.
- III. Orange Cam: Adjusts 1st level min. air.
- IV. Black Cam: Adjusts 2nd level valve opening degree.

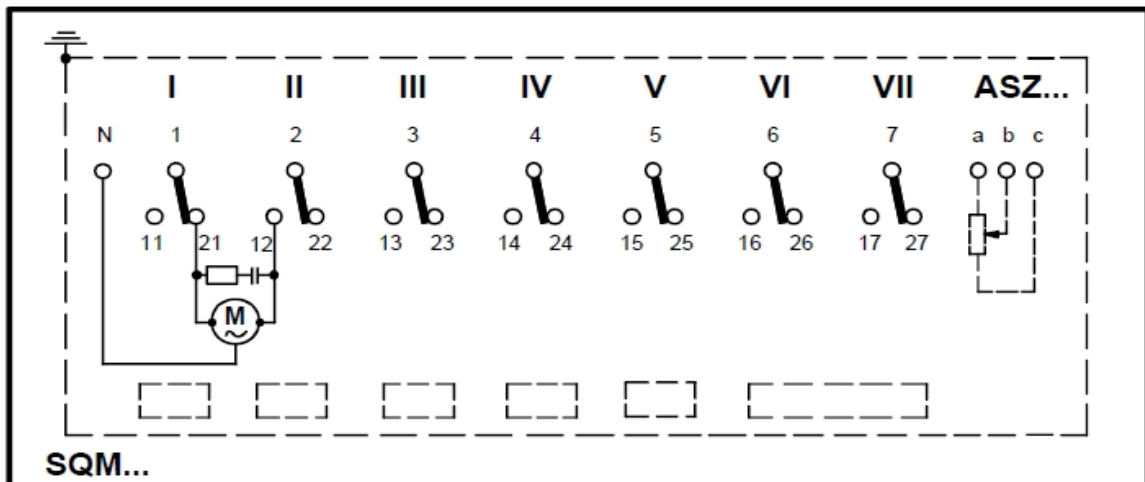
### At Modulating Burners;

- I. Red Cam: Performance max. air adjustment.
- II. Blue Cam: Resets the clamp.
- III. Orange Cam: Performs min. air adjustment.
- IV. Black Cam: Not used.

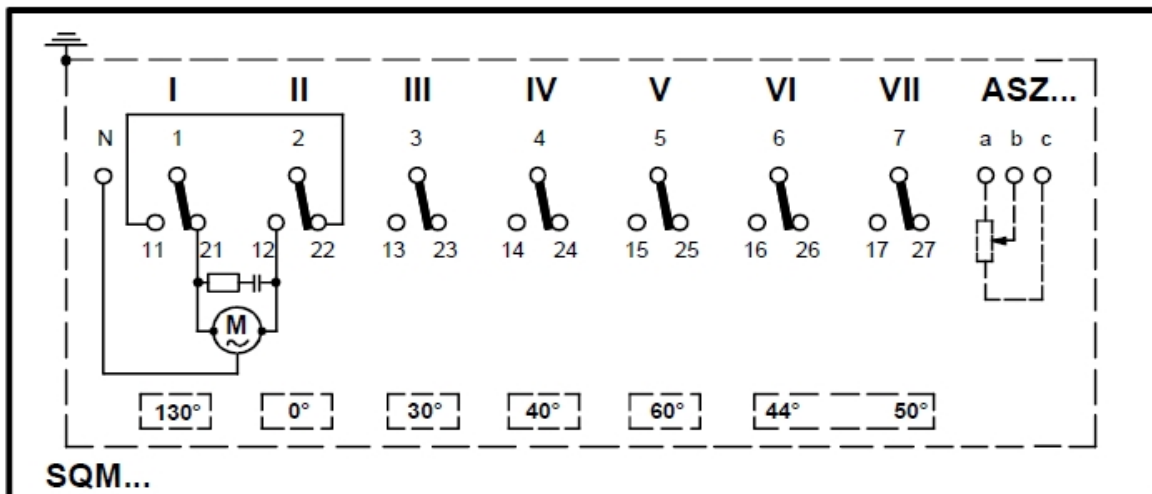
Ø SQM10



- I. Cam: Opening
- II. Cam: Resets the clamp
- III. Cam: Commissioning air
- IV. V. VI. and VII. Cam not used



7812a01/1097



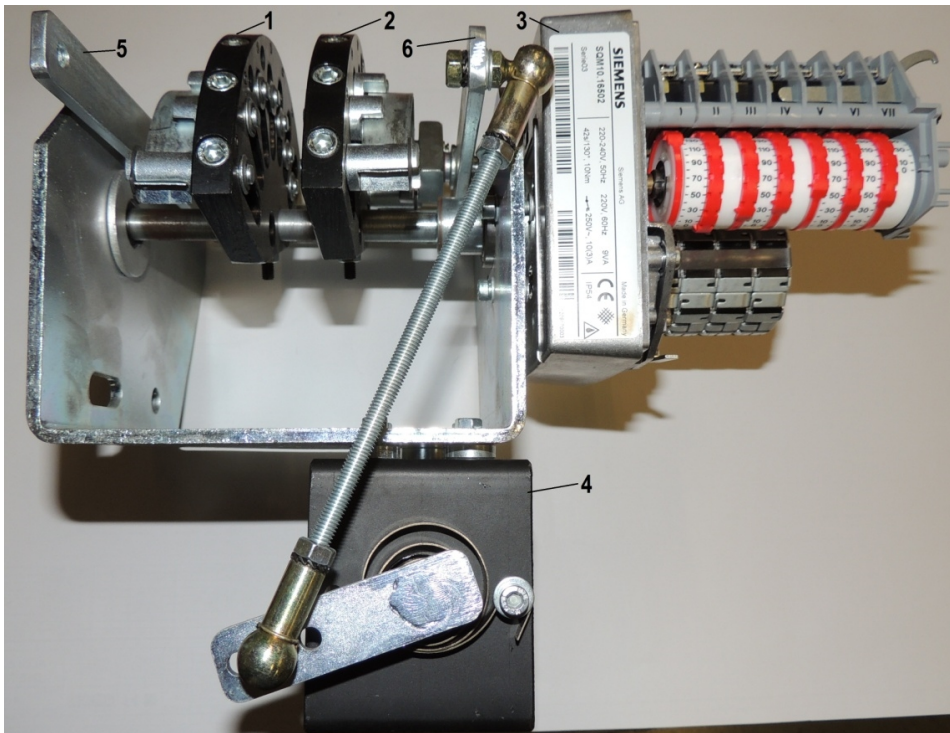
7812a02/1097



Do not open servomotor. Do not interfere with. It may damage servomotor or change burner settings.



## Ø MODULATING MECHANISM ADJUSTMENT

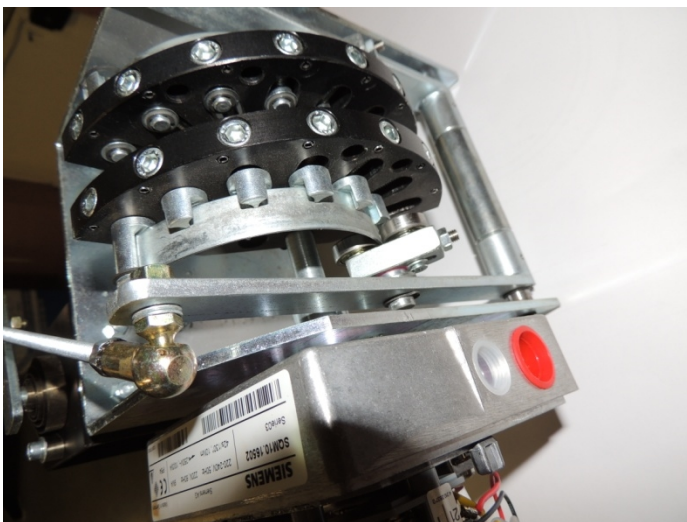


- 1- Air adjustment disk
- 2- Fuel adjustment disk
- 3- Servomotor
- 4- Fuel regulator
- 5- Air control lever
- 6- Fuel control lever

### ADJUSTMENT:

1- Start positions prior to disc mechanism adjustment operation must be as follows:

- Ø Servomotor: 0°
- Ø Fuel adjustment disc at start position
- Ø Air adjustment disc at start position
- Ø Fuel regulator at position 10
- Ø Air klappes at fully closed position: 0°



**Start position for discs**



**Start position for fuel regulator**

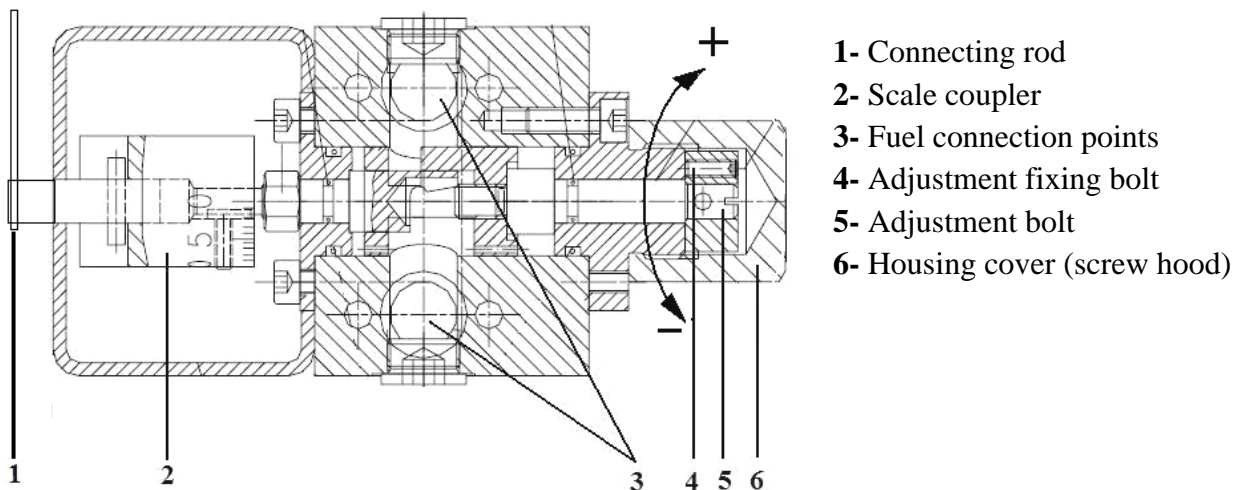


2 – If disc mechanism start positions are correct, start the burner and ensure that it activates in basic load. Detect min capacity activation fuel amount of the burner by checking min. return pressure. If the activation fuel amount is insufficient, set fuel regulator start adjustment to 9 or 8 value by changing spring adjustment from adjusting bolt on fuel disc number 2. When you start the burner again after this operation, you will see that your fuel return pressure has increased and hence activation fuel amount has risen.

3 – Slowly increase the capacity following burner basic load adjustment provided that modulating control device is in manual position. By setting 7 or 8 points during capacity increase, at these points:

- Ø Measure emission values
- Ø Record fuel return pressure
- Ø Observe air klappe position
- Ø Check fuel regulator scale value moves from 10 to 0.

4- If you haven't been able to reach the max capacity required by the boiler in 90° position of the air klappe and 0° position of the fuel regulator once you have completed the maximum adjustment, follow the below fuel regulator adjustment procedure:

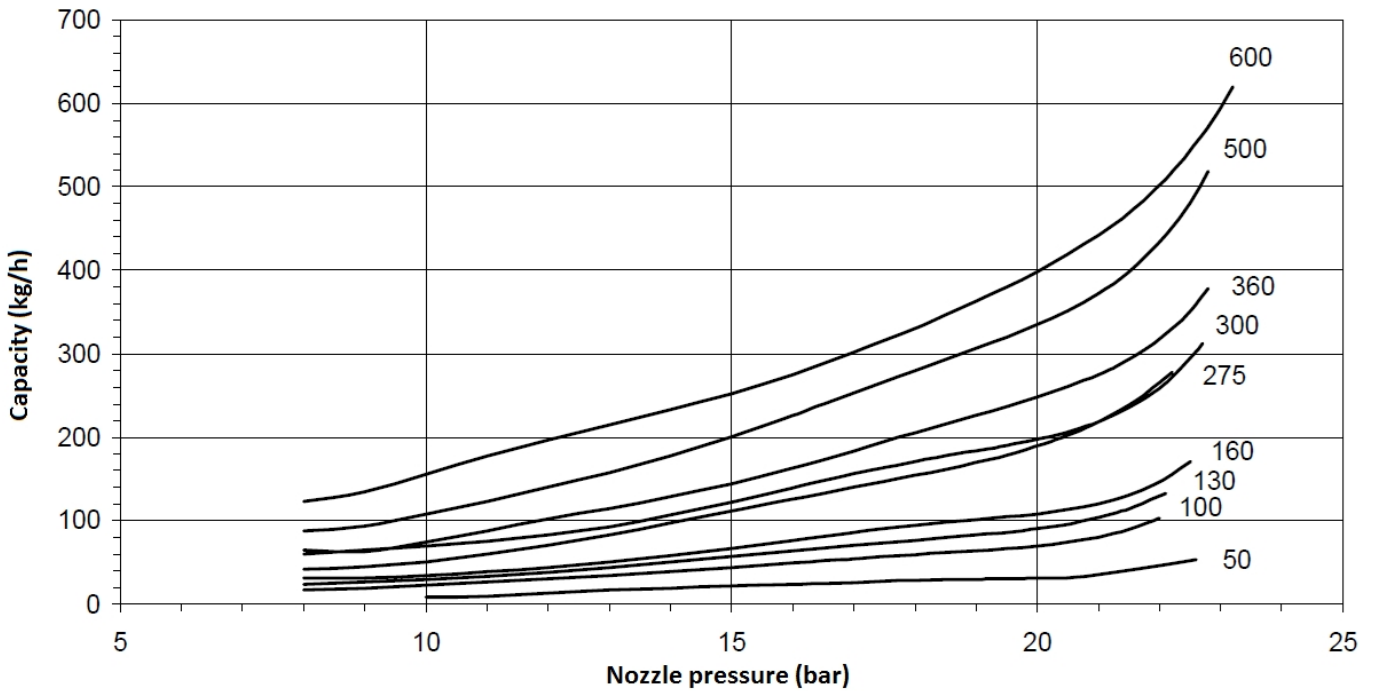


### Fuel Regulator Adjustment

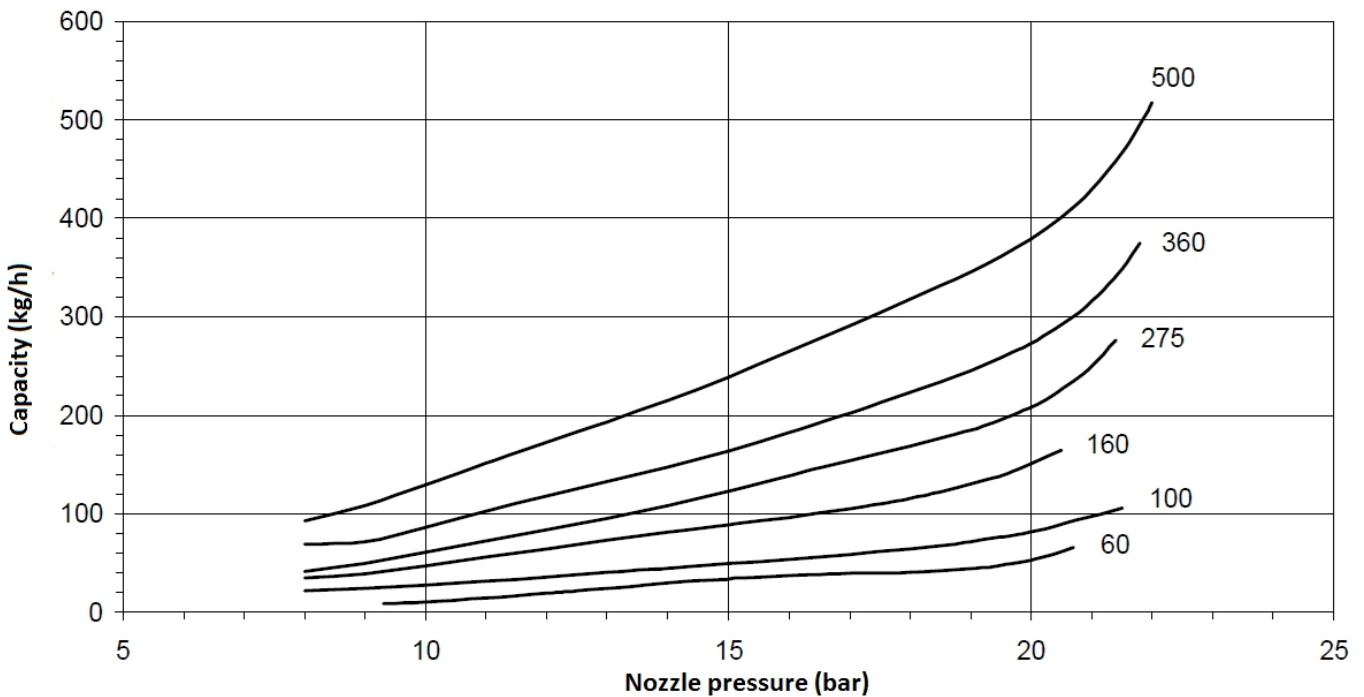
- 1- Remove the housing cover number 6
- 2- Loosen the fixing bolt number 4
- 3- When you rotate the shaft number 5 (when looked from the shaft end) clockwise, the pressure value you observe from return manometer will increase, and burner consumption will also increase since nozzle pressure increases.
- 4- When you rotate the shaft number 5 (when looked from the shaft end) anti-clockwise, the pressure value you observe from return manometer will decrease, and burner consumption will also decrease since nozzle pressure decreases.
- 5- When the adjustment is completed, make sure that the adjustment you have made is permanent by tightening the fixing bolt number 4.
- 6- Place the housing cover number 6.

5 - Set the burner to the correct capacity required by the boiler by considering the below nozzle pressure and consumption values.

**Diagram valid for fuel nozzles having 45° spraying angle**



**Diagram valid for fuel nozzles having 60° spraying angle**



6 – Once the burner modulating adjustment is completed, set modulating control device to automatic position, change set values and observe capacity changes. Air and fuel will increase and decrease simultaneously according to the adjustment you previously made.

## 8.8. Emission Measurement

In emission measurements, the following values are accepted as reference according to TS EN 676 +A2 standard.

- Ø CO < 100 mg/ kWh
- Ø %3 ≤ O<sub>2</sub> ≤ %5
- Ø NO<sub>x</sub> < 170 mg/ kWh
- Ø Excess air ratio  $1,2 \leq \lambda \leq 1,3$

In emission measurements, the following values are accepted as reference according to TS EN 267 standard.

- Ø CO < 110 mg/ kWh
- Ø %3 ≤ O<sub>2</sub> ≤ %5
- Ø NO<sub>x</sub> < 250 mg/ kWh
- Ø Excess air ratio  $1,2 \leq \lambda \leq 1,3$



It is important for the boiler to be sealed in order to avoid incorrect measurements during emission measurements.



Boiler temperature must be between 40 C° and 80 C° while making emission measurement in hot water boilers.

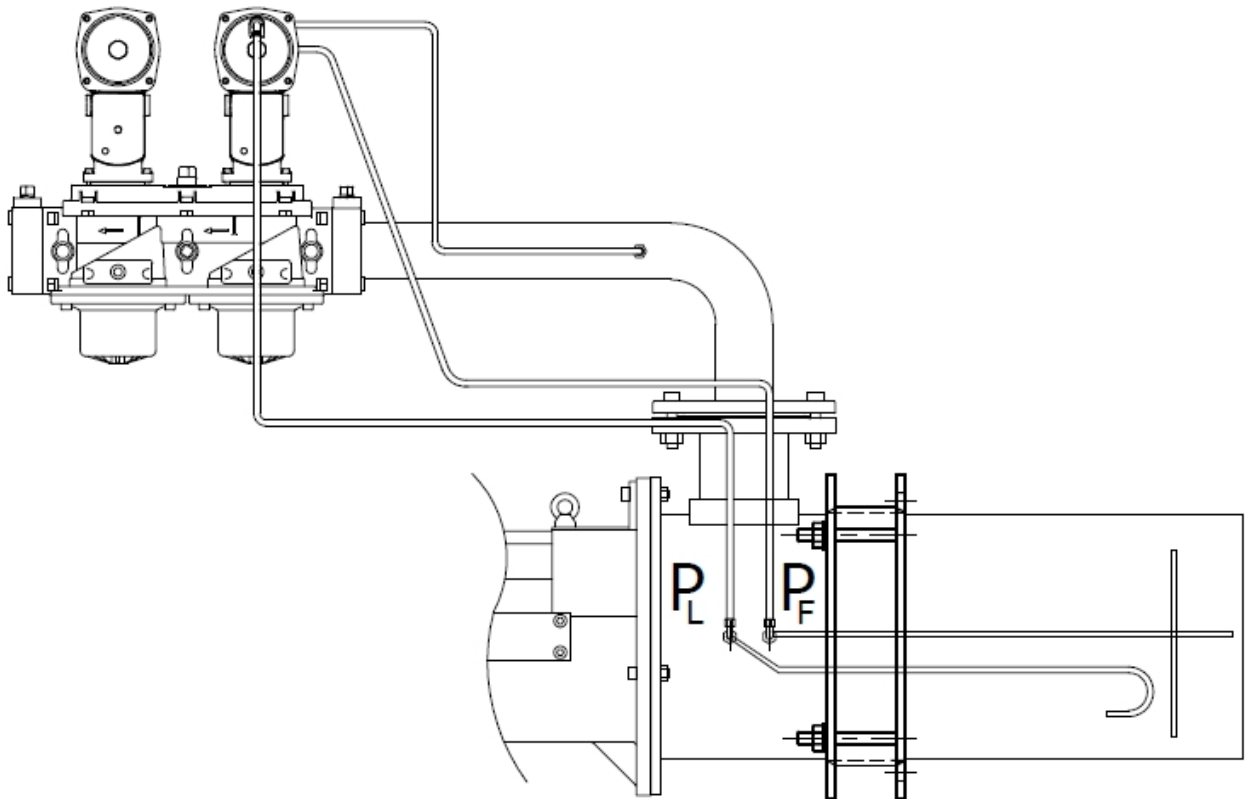
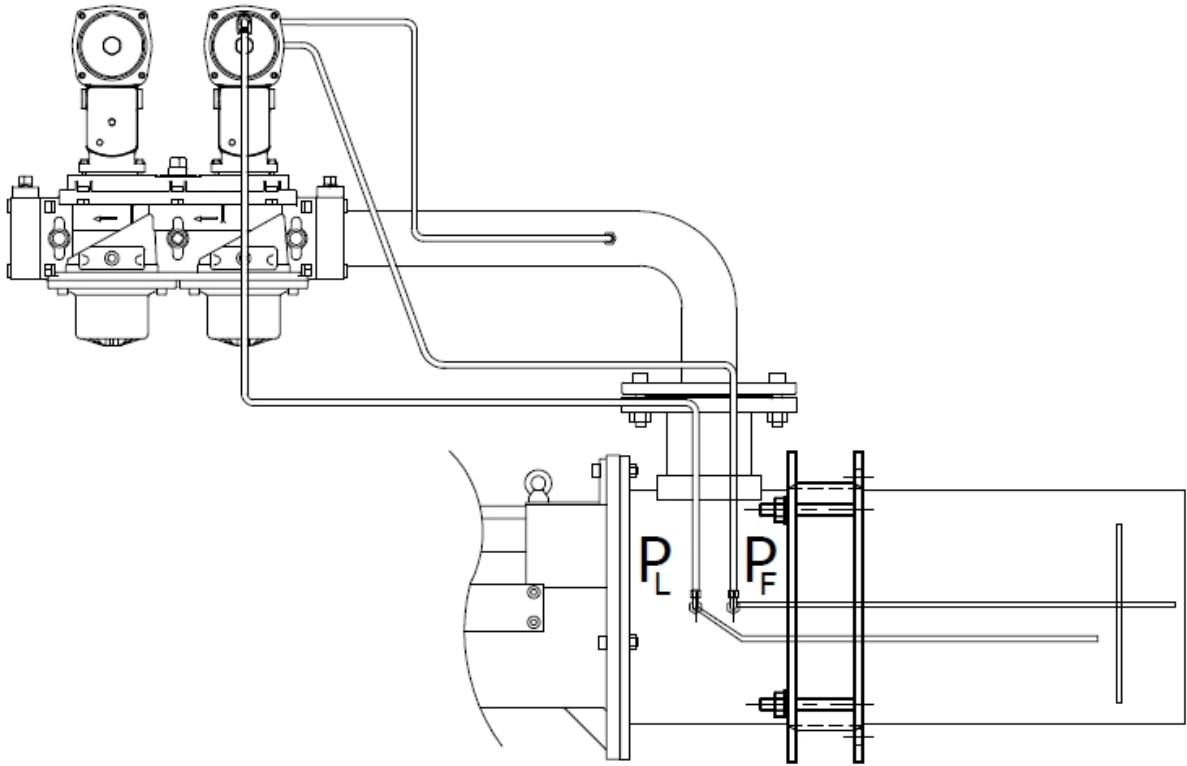
## 8.9. Program Relay

### LFL 1.32



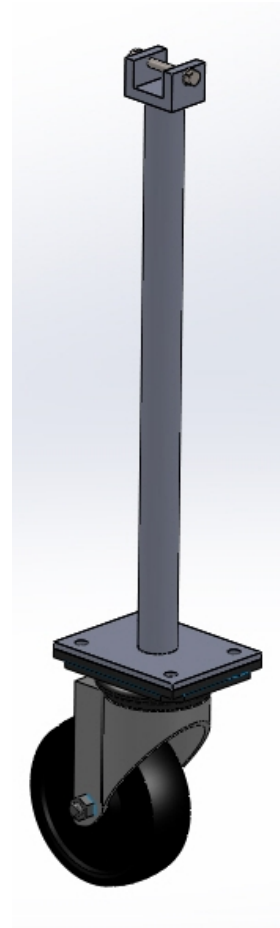
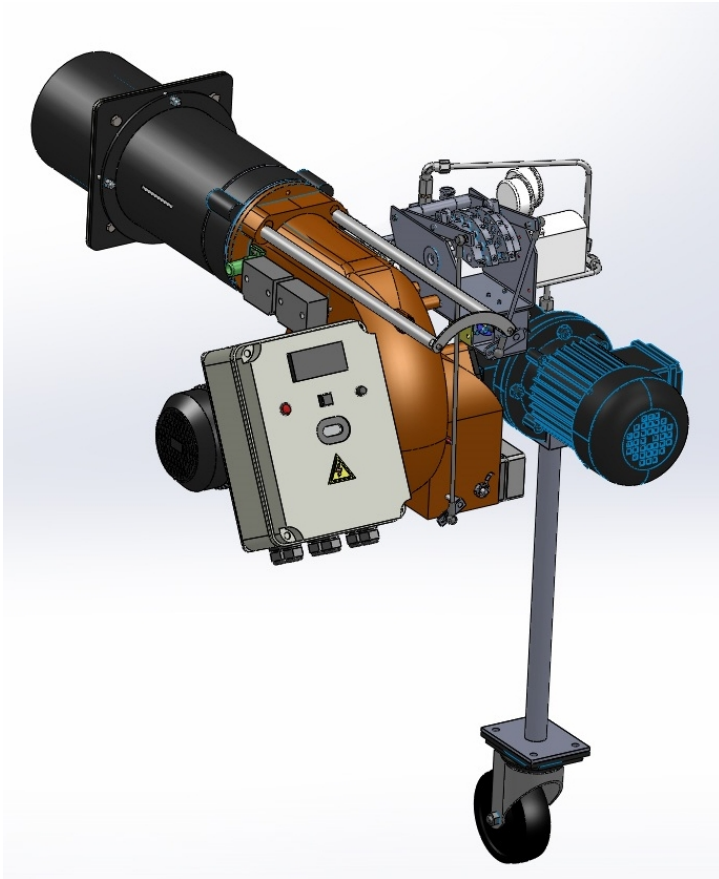


If the value measure from PL point is below 0.5 bar, set the impulse pipe as follows.

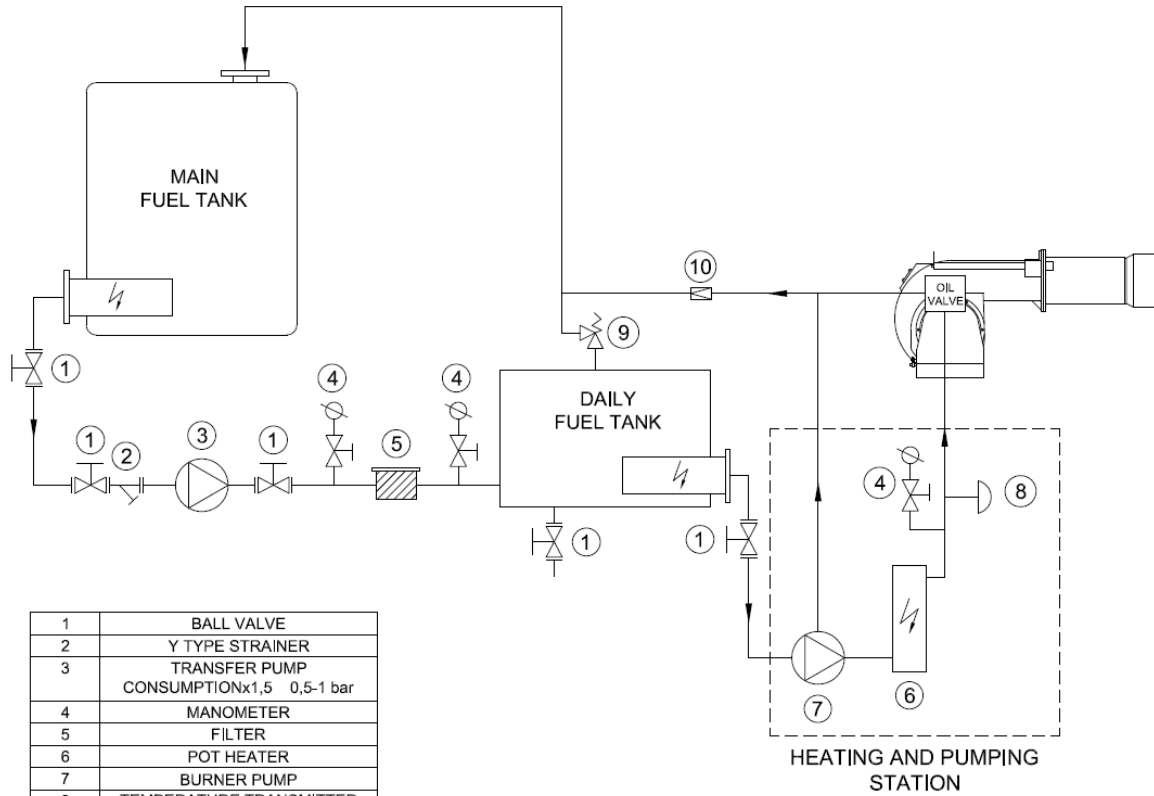




If the flame tube of the burner is longer than standard (standard flame tube length of the burner), please do not forget to support burner body during maintenance and installation/commissioning.



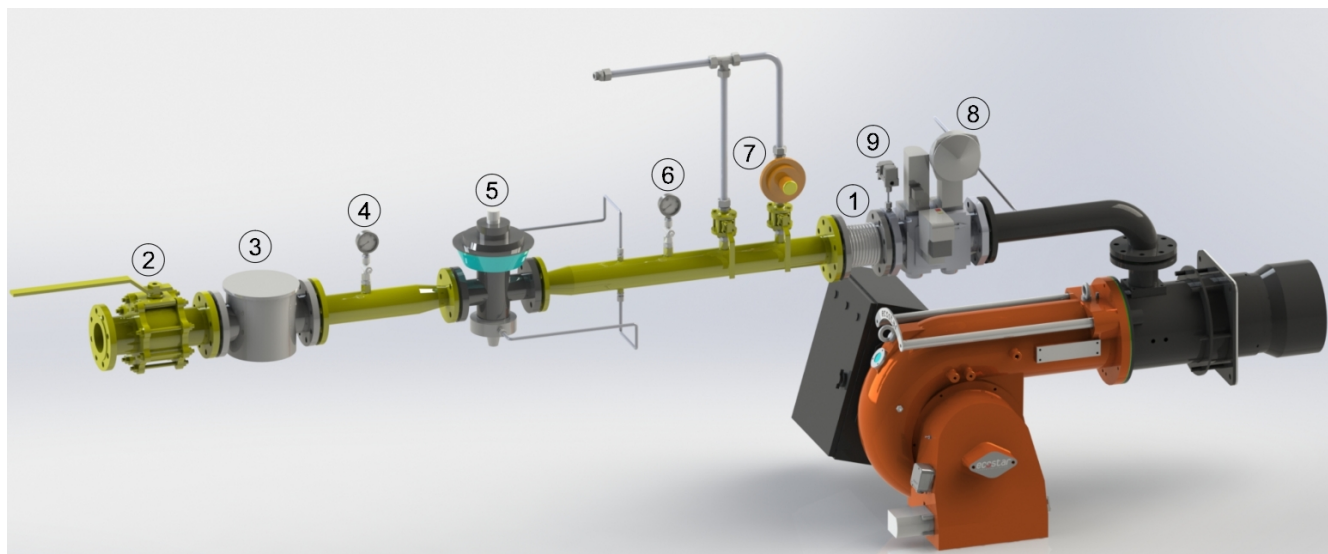
### 8.10. Heavy Oil Burner Fuel Ring Line



1	BALL VALVE
2	Y TYPE STRAINER
3	TRANSFER PUMP CONSUMPTIONx1,5 0,5-1 bar
4	MANOMETER
5	FILTER
6	POT HEATER
7	BURNER PUMP
8	TEMPERATURE TRANSMITTER
9	RELIEF VALVE ( 3/4" WITH SPRING)
10	CHECKVALVE ( 1" WITH SPRING )

\* POT HEATER AND OIL PUMP MIGHT BE COUPLED WITH BURNER BODY OR COME AS A SEPARATE FILTERING-PUMPING-HEATING GROUP ACCORDING TO BURNER CAPACITY.

### 8.11. Gas Pass Equipment Required in Gas Line



<b>Pe &lt; 300 mbar Q&lt;1200kW</b>	<b>Pe &gt; 300 mbar Q&lt;1200kW</b>	<b>Pe &lt; 300 mbar Q&gt;1200kW</b>	<b>Pe &gt; 300 mbar Q&gt;1200kW</b>
1- Compensator	1- Compensator	1- Compensator	1- Compensator
2- Ball valve	2- Ball valve	2- Ball valve	2- Ball valve
3- Gas filter	3- Gas filter	3- Gas filter	3- Gas filter
4- Inlet manometer + valve	4- Inlet manometer + valve	4- Inlet manometer + valve	4- Inlet manometer + valve
8 – Multi-block (safety and operation solenoids)	5- Regulator	8 – Multi-block (safety and operation solenoids))	5- Regulator
9- Sealing Control Set	6- Outlet manometer + valve	9- Sealing Control Set	6- Outlet manometer + valve
	7- Safety discharge valve		7- Safety discharge valve
	8 – Multi-block (safety and operation solenoids)		8 – Multi-block (safety and operation solenoids)
	9- Sealing Control Set		9- Sealing Control Set



Threaded and flanged connections may vary depending on the gas pressure and consumption.

## 9. MAINTENANCE

### 9.1. Weekly Maintenance

Weekly maintenance is a routine cleaning and adjustment procedure which is performed to ensure smooth and continuous operation of the system. Burner components must be adjusted after each maintenance work in accordance with the instructions. Otherwise, the burner cannot be operated efficiently.

- Ø Clean all filters in fuel ring system.
- Ø Clean fuel nozzle of the burner.
- Ø Check the burner gas tip.
- Ø If the fin spaces and surface of the diffuser are covered with particles and formed a layer, clean it with a wire brush.
- Ø Clean heads of ignition electrodes. Check by performing manual ignition, adjust the distance between the ignition electrode and diffuser according to the adjustment instructions.

### 9.2. Monthly Maintenance

Monthly maintenance is a more comprehensive maintenance compared to weekly maintenance, where general checks of burner and peripheral components are performed to prevent possible faults. After completion of maintenance and adjustment processes, make sure to perform a combustion analysis.

- Ø Clean the filters on the fuel line to the burner.
- Ø Clean fuel nozzle of the burner.
- Ø Clean the surface of the diffuser.
- Ø Clean flame pipe.
- Ø Check all wiring points. Tighten loose connections.
- Ø Clean the solenoid valves.
- Ø Clean the photocell.
- Ø Clean the dust and layers accumulated on the fan and air valves.
- Ø Check pump pressure. Check if necessary (Heavy Oil: 18bar)
- Ø Check ignition electrodes. Adjust it if necessary. Check ignition cables and sockets.
- Ø Perform cleanliness control of inside panel. Clean if necessary.
- Ø Check all bolts of the burner. Tighten loose bolts.
- Ø After starting the burner and adjusting air klappe, perform flue gas analysis and check if there is an ideal combustion.
- Ø Clean the filters on the main line and multiblock.
- Ø Check the burner gas tip.
- Ø Check gas line pressure, it must be the same with the first adjusted pressure, otherwise burner load and emission values will also have changed.
- Ø After starting the burner and adjusting air klappe, perform flue gas emission measurement and check if there is an ideal combustion.



### **9.3. Seasonal Maintenance**

Comprehensive maintenance work when the burner is re-started after long periods of shut-down or interruptions. After completion of maintenance and adjustment processes, make sure to perform a combustion analysis.

- Ø Check insulation resistance of electric motor.
- Ø Make surface cleaning of ignition electrodes and porcelains. Replace cracked or broken porcelains.
- Ø Clean air fan and clamps.
- Ø Check the operating function.
- Ø Check cleanliness of the nozzle. Replace it if necessary.
- Ø Clean the N.C. solenoid valve. Measure the coil winding resistance.
- Ø Clean the strainer (filter) under the pump cover.
- Ø Clean the photocell.
- Ø Clean fuel filter. Replace it if necessary.
- Ø Check boiler thermostats.
- Ø Check cleanliness of boiler inside and clean if necessary.

## 10. TROUBLESHOOTING

<b>Problem</b>	<b>Cause</b>	<b>Explanation-Suggestion</b>
Burner cannot be commissioned	Heavy Oil or Gas is cut or does not come	Heavy Oil or Gas valve might be closed. Open the valve.
	Fuse failure	Check burner power supply. The fuse on the main panel or the fuse on the burner might be tripped.
	Relay failure	Reset the thermal relay. Check adjustment of the thermal relay according to the current in motor label. If the failure is not removed, replace the thermal relay.
	Boiler thermostat, pressure switch failure	If there is a problem with the burner thermostats, pressure switches and steam tank this may be due to an unadjusted or faulty water level device; adjust it and if broken, replace it.
Flame appears and goes into failure mode.	Heavy Oil or Gas pressure error	Circuit heavy oil or gas pressure might have dropped.
	Photocell failure	Photocell may be faulty or contaminated. Remove and clean.
	Program relay failure	Replace it with a new one.
Burner starts up, but fails after 10 seconds.	Program relay failure	Replace it with a new one.
	Air pressure switch adjustment	Air pressure switch might be adjusted to a high value. There may be dirt in the air pressure switch. Air pressure switch might be broken.
	Fan motor failure	Check fan motor coils, motor contactor and outlet from program relay.
Burner starts up, but fails after 30 seconds.	Heavy Oil or Gas valve, heavy oil or gas pressure drop	Heavy Oil or Gas valve might be closed. Circuit heavy oil or gas pressure might have dropped. Check Heavy Oil or Gas inlet manometer.
	Ignition electrode failure	Ignition electrodes might be misadjusted or ignition cables might have come out of their terminals. Adjust ignition electrodes with a distance of 3-5 mm. between them.
Boiler cover is overheating.	Sealing problem	Ensure sealing between the boiler cover and burner. If required, use insulating material between the boiler connecting flange and boiler cover.

<b>11. PERIODICAL FLUE GAS MEASUREMENT REPORT</b>									
<b>Fuel Consumption (kg/h)</b>	<b>Fuel Consumption (m<sup>3</sup>/h)</b>	<b>CO (ppm)</b>	<b>O<sub>2</sub> (%)</b>	<b>CO<sub>2</sub> (ppm)</b>	<b>NO<sub>x</sub> (ppm)</b>	<b>Yield (%)</b>	<b>Flue Temp. (°C)</b>	<b>Date</b>	<b>Signature</b>

## 12. AFTER SALES SERVICES

Dear Customer,

We believe that providing a good service is as important as providing a good product. Therefore, we continue offering wide range of comprehensive services to our conscious customers.

Our contact details for your requests and complaints

**Esentepe Mah.Milangaz Cad. No:75 K:3**

**Kartal Monumento Plaza  
KARTAL/İSTANBUL/TÜRKİYE**

**Tel: +90 216 442 93 00**

**Fax: +90 216 370 45 03**

Factory Contact Details

**Türkgücü OSB**

**Bülent Ecevit Bulvarı No:11  
ÇORLU/TEKİRDAĞ/TÜRKİYE**

**Tel: +90 282 685 44 80-81**

**Fax: +90 282 685 42 09**

Also you can contact with us:

**Web site : [www.ecostar.com.tr](http://www.ecostar.com.tr)**

**E - mail : [servis@ecostar.com.tr](mailto:servis@ecostar.com.tr)**



Please observe the following recommendations.

- Use the product in accordance with the principles of this manual.
- For any service demands regarding the product, please contact our Service Center from the abovementioned phone numbers.
- Upon your purchase, register your warranty certificate during installation.

